



IMM.M.M.

Adattatori BSP / BSP adaptors

C



IMM

IMMHypress

IMM Group

Adattatori BSP

Pagina / Page	4	4	5	5	
BSP niples					
	1700 Union	1800 Reducing Connector	R605 Male-Female Reducing M BSP x F BSP	2000 Male-Female Union M BSP x F BSP	
Pagina / Page	6	6	7	7	7
BSP niples					
	2010 Male-Female Connector M BSP x F BSP	2020 Male/Male Extention	A106 Bulkhead	A107 Bulkhead locknut	A108Z Nipple for Bulkhead
Pagina / Page	8	8	9	9	
BSP male					
	4520 90° Elbow Union	4530 45° Elbow Union	4730 Union Tee	4900 Cross Union	
Pagina / Page	10	10	11	11	12
BSP tee swivel					
	4700 Run Tee Connector BSP Swivel Female	4710 Branch Tee Connector BSP Swivel Female	4800 Run Tee Connector BSP Male	4810 Branch Tee Connector BSP Male	4720 Union Tee BSP Swivel Female
Pagina / Page	12	13	13		
BSP m/f swivel 1 piece					
	2350 Swivel Connector M BSP x F BSP	4500 90° Swivel Elbow M BSP x F BSP	4510 45° Swivel Elbow M BSP x F BSP		
Pagina / Page	14	14	15	15	
BSP m/f swivel comp.			BSP m/f swivel welded		
	3200 90° Comp.Swivel elbow M BSPxF BSP welded	3320 45° Comp.Swivel elbow M BSPxF BSP Forged		2550 90° Swivel Elbow M BSP x F BSP welded	2650 45° Swivel Elbow M BSP x F BSP welded

Dimensions and general characteristics may be changed at any time without prior notice.

Data contained herein are for information purpose only, and it does not enlarge, amend or imply any warranty other than provided by us with the product
Any use of the product not in conformance with our instructions may be dangerous.

Adattori BSP

Pagina / Page	16	16	17	17	
BSPP f/f swivel 1 piece			BSPP f/f swivel welded		
	2450 Swivel Connector F BSP x F BSP	4550 90° Swivel Elbow F BSP x F BSP		2750 90° Swivel Elbow F BSP x F BSP welded	
				2850 45° Swivel Elbow F BSP x F BSP welded	
Pagina / Page	18	18	19		
BSPP f/f					
	4570 90° Elbow Union F BSP x F BSP	4820 Union Tee F BSP x F BSP x F BSP	A105 Union F BSP x F BSP		
Pagina / Page	19	20	20		
BSPP plug swivel		BSPP plugs			
	A608 BSP Female Plug Swivel		A604 BSP Female Plug	A605 BSP Male Plug	
Pagina / Page	21	21	22	22	
BSPP weldable					
	A051 BSP Female End Weldable - Swivel	1850 BSP Male End (hex) Weldable	220C BSP Male End (round) Weldable	2200 Threaded Sleeve Weldable	
Pagina / Page	23	24	24	25	25
BSPP BSPT					
	1865 Male Connector M BSP x M BSPT	2360 Swivel Connector M BSPT x F BSP	4860 Branch Tee Connector BSP - BSPT - BSP	4620 90° Elbow Connector M BSP x M BSPT	4630 45° Elbow Connector M BSP x M BSPT
Pagina / Page	26	26			
BSPP BSPT					
	4600 90° Swivel Elbow F BSP x M BSPT	4610 45° Swivel Elbow F BSP x M BSPT			

Dimensions and general characteristics may be changed at any time without prior notice.

Data contained herein are for information purpose only, and it does not enlarge, amend or imply any warranty other than provided by us with the product
Any use of the product not in conformance with our instructions may be dangerous.

Adattatori BSP

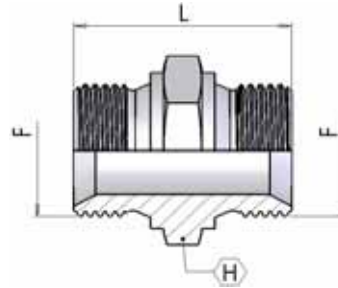
Pagina / Page	27	28	28	29	29	30
BSP NPTF						
	1875 Male Connector M BSP x M NPTF	2365 Swivel Connector M NPTF x F BSP	4870 Branch Tee Connector BSP - NPTF - BSP	4670 90° Elbow Connector M BSP x M NPTF	4680 45° Elbow Connector M BSP x M NPTF	4650 90° Swivel Elbow F BSP x M NPTF
Pagina / Page	30	31	32	32	33	
BSP NPTF		BSP BSP Adj.				
	4660 45° Swivel Elbow F BSP x M NPTF		3900 Adjustable Elbow M BSP x M BSP Adj.	3255 Adjustable Elbow F BSP x M BSP Adj.	3600 Adjustable Run Tee BSP - BSP - BSP Adj.	3605 Adjustable Branch Tee BSP - BSP Adj. - BSP
Pagina / Page	34	35	35	36	36	
BSP metric						
	1805 Male Connector M BSP x M Metric 60°	2370 Swivel Nut female F Metric 60° x M BSP	3510 Male Connector M BSP x M Metric	3515 Long Male Connector M BSP x M Metric	3560 Swivel Nut female M Metric x F BSP	
Pagina / Page	37	37	38	38	39	
BSP metric						
	3910 Adjustable Elbow M BSP x M Metric	3915 Long Adjustable Elbow M BSP x M Metric	3410 Adjustable 45° Elbow M BSP x M Metric	3610 Adjustable Run Tee BSP - BSP - Metric	3615 Adjustable Branch Tee BSP - Metric - BSP	
Pagina / Page	40	40	41	41	42	
BSP UNF						
	3520 Male Connector M BSP x M UNF	3525 Long Male Connector M BSP x M UNF	3570 Swivel Nut female F BSP x M UNF	3920 Adjustable Elbow M BSP x M UNF	3925 Long Adjustable Elbow M BSP x M UNF	
Pagina / Page	42	43	43			
BSP UNF						
	3420 Adjustable 45° Elbow M BSP x M UNF	3620 Adjustable Run Tee BSP - BSP - UNF	3625 Adjustable Branch Tee BSP - UNF - BSP			

Dimensions and general characteristics may be changed at any time without prior notice.

Data contained herein are for information purpose only, and it does not enlarge, amend or imply any warranty other than provided by us with the product
Any use of the product not in conformance with our instructions may be dangerous.

1700 Nipplo di giunzione

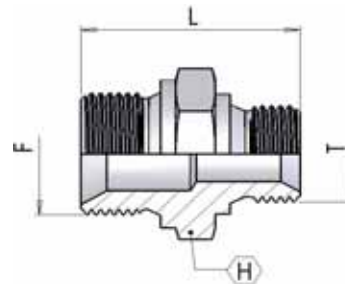
Union



part number	Ø tube		Dimensions		
	mm	inch	F	L	H
1700-02-02	6	1/4"	1/8-28	24	14
1700-04-04	8	5/16"	1/4-19	32	19
1700-06-06	10	3/8"	3/8-19	36	22
1700-08-08	12	1/2"	1/2-14	42	27
1700-10-10	16	5/8"	5/8-14	40	30
1700-12-12	20	3/4"	3/4-14	42	32
1700-16-16	25	1"	1-11	52	41
1700-20-20	32	1.1/4"	1.1/4-11	57	50
1700-24-24	38	1.1/2"	1.1/2-11	60	55
1700-32-32	51	2"	2-11	71	70

1800 Nipplo di riduzione

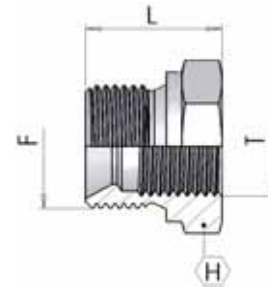
Reducing Niple



part number	Ø tube		Dimensions			
	mm	inch	F	T	L	H
1800-04-02	6	1/4"	1/4-19	1/8-28	29	19
1800-06-02	6	1/4"	3/8-19	1/8-28	30	22
1800-06-04	8	5/16"	3/8-19	1/4-19	34	22
1800-08-04	8	5/16"	1/2-14	1/4-19	35	27
1800-08-06	10	3/8"	1/2-14	3/8-19	40	27
1800-10-08	12	1/2"	5/8-14	1/2-14	44	30
1800-12-04	8	5/16"	3/4-14	1/4-19	41	32
1800-12-06	10	3/8"	3/4-14	3/8-19	42	32
1800-12-08	12	1/2"	3/4-14	1/2-14	44	32
1800-12-10	16	5/8"	3/4-14	5/8-14	46	32
1800-16-06	10	3/8"	1-11	3/8-19	45	38
1800-16-08	12	1/2"	1-11	1/2-14	47	41
1800-16-12	20	3/4"	1-11	3/4-14	49	41
1800-20-12	20	3/4"	1.1/4-11	3/4-14	52	50
1800-20-16	25	1"	1.1/4-11	1-11	55	50
1800-24-12	20	3/4"	1.1/2-11	3/4-14	54	55
1800-24-16	25	1"	1.1/2-11	1-11	58	55
1800-24-20	32	1.1/4"	1.1/2-11	1.1/4-11	58	55
1800-32-16	25	1"	2-11	1-11	64	70
1800-32-20	32	1.1/4"	2-11	1.1/4-11	66	70
1800-32-24	38	1.1/2"	2-11	1.1/2-11	68	70

R605 **Riduzione Corta maschio/femm.**

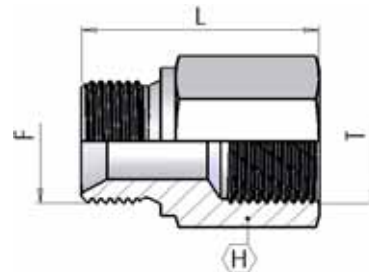
Short Male-Female reducing



part number	Ø tube		Dimensions			
	mm	inch	F	T	L	H
R605-04-02	6	1/4"	1/4"-19	1/8"-28	23	19
R605-06-02	6	1/4"	3/8"-14	1/8"-28	22	22
R605-06-04	8	5/16"	3/8"-19	1/4"-19	27	22
R605-08-04	8	5/16"	1/2"-14	1/4"-19	25	27
R605-08-06	10	3/8"	1/2"-14	3/8"-19	29	27
R605-12-04	8	5/16"	3/4"-14	1/4"-19	27	32
R605-12-06	10	3/8"	3/4"-14	3/8"-19	27	32
R605-12-08	12	1/2"	3/4"-14	1/2"-14	27	32
R605-16-06	10	3/8"	1-11	3/8"-19	30	41
R605-16-08	12	1/2"	1-11	1/2"-14	30	41
R605-16-12	20	3/4"	1-11	3/4"-14	30	41
R605-20-12	20	3/4"	1.1/4-11	3/4"-14	34	50
R605-20-16	25	1"	1.1/4-11	1-11	34	50
R605-24-16	25	1"	1.1/2-11	1-11	35	55
R605-24-20	32	1.1/4"	1.1/2-11	1.1/4-11	39	55
R605-32-20	32	1.1/4"	2-11	1.1/4-11	43	70
R605-32-24	38	1.1/2"	2-11	1.1/2-11	43	70

2000 **Colonna M/F**

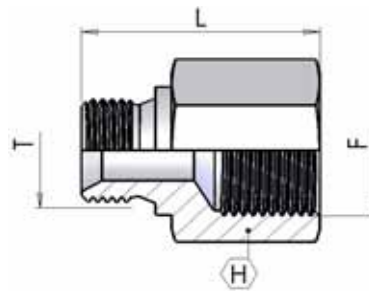
Male/female connector



part number	Ø tube		Dimensions			
	mm	inch	F	T	L	H
2000-04-33	8	5/16"	1/4-19	1/4-19	33	19
2000-04-42	8	5/16"	1/4-19	1/4-19	42	19
2000-04-55	8	5/16"	1/4-19	1/4-19	55	19
2000-06-35	10	3/8"	3/8-19	3/8-19	35	22
2000-06-54	10	3/8"	3/8-19	3/8-19	54	22
2000-06-65	10	3/8"	3/8-19	3/8-19	65	22
2000-08-45	12	1/2"	1/2-14	1/2-14	45	27
2000-08-60	12	1/2"	1/2-14	1/2-14	60	27
2000-08-80	12	1/2"	1/2-14	1/2-14	80	27
2000-08-64	12	1/2"	1/2-14	1/2-14	64	27
2000-12-48	20	3/4"	3/4-14	3/4-14	48	32
2000-12-64	20	3/4"	3/4-14	3/4-14	64	32
2000-12-75	20	3/4"	3/4-14	3/4-14	75	32
2000-16-50	25	1"	1-11	1-11	50	41
2000-16-90	25	1"	1-11	1-11	90	41
2000-20-62	32	1.1/4"	1.1/4-11	1.1/4-11	62	50

2010 Riduzione femm./maschio

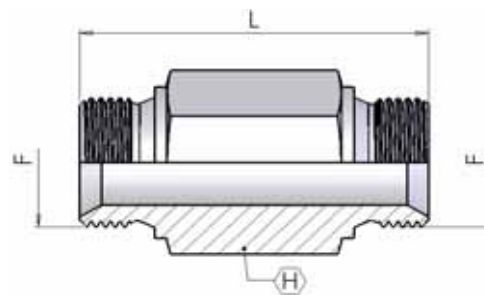
Female-Male reducing



part number	Ø tube		Dimensions			
	mm	inch	F	T	L	H
2010-02-04	8	5/16"	1/8-28	1/4-19	28	19
2010-04-02	6	1/4"	1/4-19	1/8-28	29	19
2010-04-06	10	3/8"	1/4-19	3/8-19	35	22
2010-04-08	12	1/2"	1/4-19	1/2-14	36	27
2010-06-04	8	5/16"	3/8-19	1/4-19	33	22
2010-06-08	12	1/2"	3/8-19	1/2-14	37	27
2010-08-04	8	5/16"	1/2-14	1/4-19	37	27
2010-08-06	10	3/8"	1/2-14	3/8-19	39	27
2010-08-12	20	3/4"	1/2-14	3/4-11	38	32
2010-08-16	25	1"	1/2-14	1-11	42	41
2010-12-04	8	5/16"	3/4-11	1/4-19	42	32
2010-12-06	10	3/8"	3/4-11	3/8-19	43	32
2010-12-08	12	1/2"	3/4-11	1/2-14	45	32
2010-12-16	25	1"	3/4-11	1-11	49	41
2010-16-08	12	1/2"	1-11	1/2-14	49	41
2010-16-12	20	3/4"	1-11	3/4-14	50	41
2010-16-20	20	3/4"	1-11	1.1/4-11	51	50
2010-20-12	20	3/4"	1.1/4-11	3/4-11	51	50
2010-20-16	25	1"	1.1/4-11	1-11	53	50
2010-20-24	20	3/4"	1.1/4-11	1.1/2-11	57	55
2010-24-16	25	1"	1.1/2-11	1-11	50	55
2010-24-20	20	3/4"	1.1/2-11	1.1/4-11	52	55
2010-32-20	20	3/4"	2-11	1.1/4-11	68	70
2010-32-24	38	1.1/2"	2-11	1.1/2-11	68	70

2020 Prolunga M/M

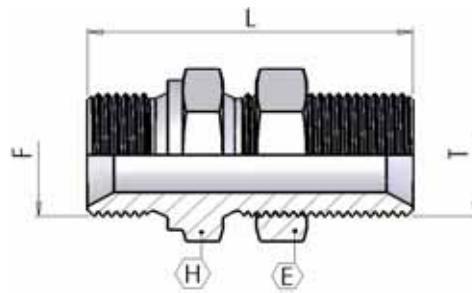
Male/Male Extention



part number	Ø tube		Dimensions		
	mm	inch	F	L	H
2020-04-04	8	5/16"	1/4-19	45	19
2020-06-06	10	3/8"	3/8-19	47	22
2020-08-08	12	1/2"	1/2-14	61	27
2020-12-12	20	3/4"	3/4-14	73	32
2020-16-16	25	1"	1-11	84	41

A106 Passaparete

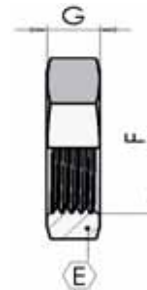
Bulkhead



part number	Ø tube		Dimensions				
	mm	inch	F	T	L	H	E
A106-02	6	1/4"	1/8-28	1/8-28	35	14	14
A106-04	8	5/16"	1/4-19	1/4-19	46	19	19
A106-06	10	3/8"	3/8-19	3/8-19	54	22	22
A106-08	12	1/2"	1/2-14	1/2-14	57	27	27
A106-10	16	5/8"	5/8-14	5/8-14	65	30	30
A106-12	20	3/4"	3/4-14	3/4-14	65	32	32
A106-16	25	1"	1-11	1-11	73	41	41
A106-20	32	1.1/4"	2-11	2-11	79	50	50

A107 Controdado per passaparete

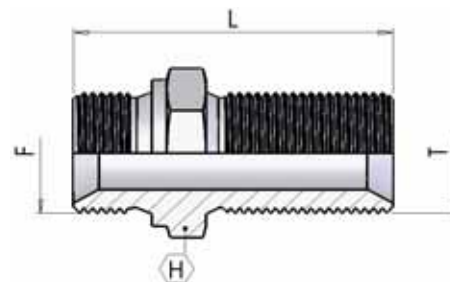
Bulkhead locknut



part number	Ø tube		Dimensions			
	mm	inch	F		G	E
A107-02	6	1/4"	1/8-28		5	14
A107-04	8	5/16"	1/4-19		7	19
A107-06	10	3/8"	3/8-19		8	22
A107-08	12	1/2"	1/2-14		9	27
A107-10	16	5/8"	5/8-14		9	30
A107-12	20	3/4"	3/4-14		10	32
A107-16	25	1"	1-11		11	41
A107-20	32	1.1/4"	2-11		13	50

A108 Nipplo per Passaparete

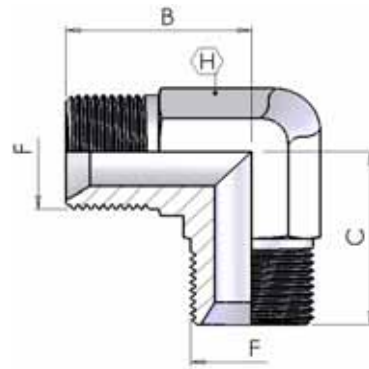
Nipple for Bulkhead



part number	Ø tube		Dimensions				
	mm	inch	F	T	L	H	E
A108-02Z	6	1/4"	1/8-28	1/8-28	35	14	
A108-04Z	8	5/16"	1/4-19	1/4-19	46	19	
A108-06Z	10	3/8"	3/8-19	3/8-19	54	22	
A108-08Z	12	1/2"	1/2-14	1/2-14	57	27	
A108-10Z	16	5/8"	5/8-14	5/8-14	65	30	
A108-12Z	20	3/4"	3/4-14	3/4-14	65	32	
A108-16Z	25	1"	1-11	1-11	73	41	
A108-20Z	32	1.1/4"	2-11	2-11	79	50	

4520 Unione 90°

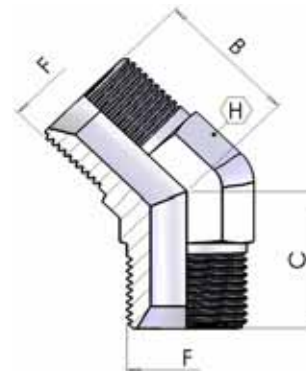
90° Union Elbow



part number	Ø tube		Dimensions			
	mm	inch	F	B	C	H
4520-04	8	5/16"	1/4-19	26	26	14
4520-06	10	3/8"	3/8-19	32	32	19
4520-08	12	1/2"	1/2-14	36	36	22
4520-12	20	3/4"	3/4-14	40	40	27
4520-16	25	1"	1-11	42	42	33
4520-20	32	1.1/4"	1.1/4-11	52	52	41
4520-24	38	1.1/2"	1.1/2-11	59	59	50

4530 Unione 45°

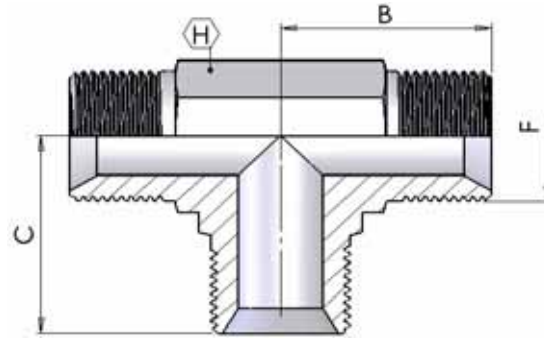
45° Union Elbow



part number	Ø tube		Dimensions			
	mm	inch	F	B	C	H
4530-04	8	5/16"	1/4-19	21	21	14
4530-06	10	3/8"	3/8-19	25	25	19
4530-08	12	1/2"	1/2-14	28	28	22
4530-12	20	3/4"	3/4-14	33	33	27
4530-16	25	1"	1-11	37	37	33
4530-20	32	1.1/4"	1.1/4-11			41
4530-24	38	1.1/2"	1.1/2-11			50

4730 **Unione a T**

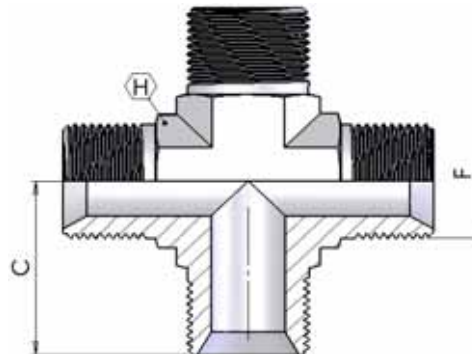
Union Tee



part number	Ø tube		Dimensions			
	mm	inch	F	B	C	H
4730-04	8	5/16"	1/4-19	27	27	14
4730-06	10	3/8"	3/8-19	28	28	19
4730-08	12	1/2"	1/2-14	34	34	22
4730-12	20	3/4"	3/4-14	40	40	27
4730-16	25	1"	1-11	42	42	33
4730-20	32	1.1/4"	1.1/4-11	52	52	41
4730-24	38	1.1/2"	1.1/2-11	59	59	50

4900 **Unione a croce**

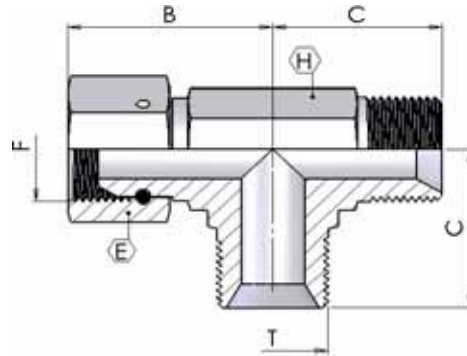
Cross Union



part number	Ø tube		Dimensions		
	mm	inch	F	C	H
4900-04	8	5/16"	1/4-19	27	14
4900-06	10	3/8"	3/8-19	32	19
4900-08	12	1/2"	1/2-14	36	22
4900-12	20	3/4"	3/4-14	40	27
4900-16	25	1"	1-11	50	33

4700 T con femmina girevole laterale

Female run tee



O-Ring

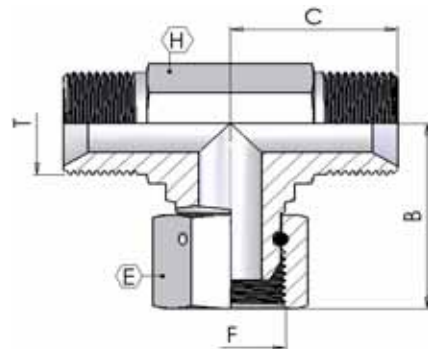
(*) - Femmina BSP con O-Ring

(*) - BSP female with O-Ring

part number	Ø tube		Dimensions					
	mm	inch	F	T	B	C	H	E
4700-04	8	5/16"	1/4-19	1/4-19	32	27	14	19
4700-06	10	3/8"	3/8-19	3/8-19	33	28	19	22
4700-08	12	1/2"	1/2-14	1/2-14	40	34	22	27
4700-12	20	3/4"	3/4-14	3/4-14	48	40	27	32
4700-16	25	1"	1-11	1-11	52	42	33	38
(*) 4700-20	32	1.1/4"	1.1/4-11	1.1/4-11	61	52	41	50
(*) 4700-24	38	1.1/2"	1.1/2-11	1.1/2-11	61	59	50	55

4710 T con femmina girevole centrale

Female branch tee



O-Ring

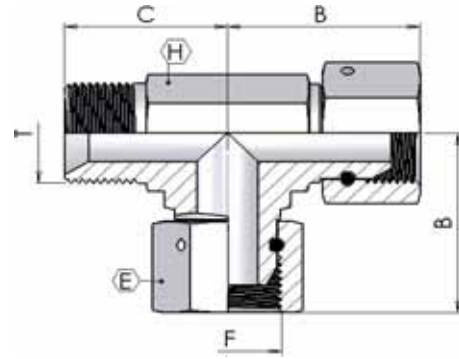
(*) - Femmina BSP con O-Ring

(*) - BSP female with O-Ring

part number	Ø tube		Dimensions					
	mm	inch	F	T	B	C	H	E
4710-04	8	5/16"	1/4-19	1/4-19	32	27	14	19
4710-06	10	3/8"	3/8-19	3/8-19	33	28	19	22
4710-08	12	1/2"	1/2-14	1/2-14	40	34	22	27
4710-12	20	3/4"	3/4-14	3/4-14	48	40	27	32
4710-16	25	1"	1-11	1-11	52	42	33	38
(*) 4710-20	32	1.1/4"	1.1/4-11	1.1/4-11	61	52	41	50
(*) 4710-24	38	1.1/2"	1.1/2-11	1.1/2-11	61	59	50	55

4800 T girevole con maschio laterale

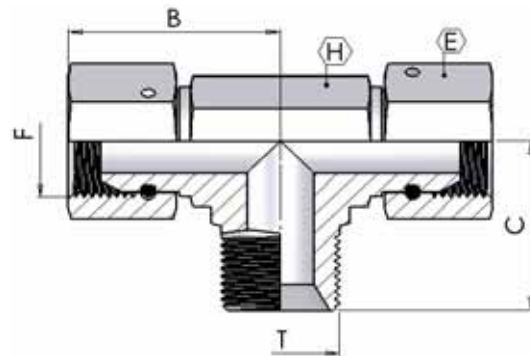
Male Run Tee



part number	Ø tube		Dimensions					
	mm	inch	F	T	B	C	H	E
4800-04	8	5/16"	1/4-19	1/4-19	32	27	14	19
4800-06	10	3/8"	3/8-19	3/8-19	34	32	19	22
4800-08	12	1/2"	1/2-14	1/2-14	40	34	22	27
4800-12	20	3/4"	3/4-14	3/4-14	48	40	27	32
4800-16	25	1"	1-11	1-11	52	42	33	38

4810 T girevole con maschio centrale

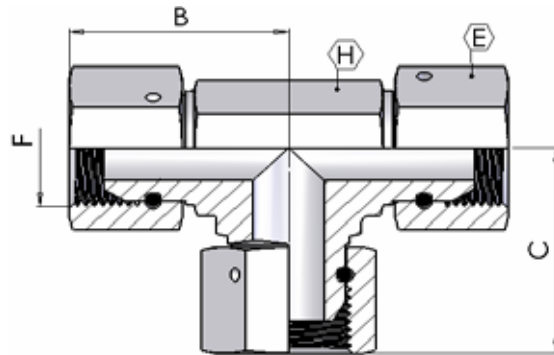
Male Branch Tee



part number	Ø tube		Dimensions					
	mm	inch	F	T	B	C	H	E
4810-04	8	5/16"	1/4-19	1/4-19	32	27	14	19
4810-06	10	3/8"	3/8-19	3/8-19	33	28	19	22
4810-08	12	1/2"	1/2-14	1/2-14	40	34	22	27
4810-12	20	3/4"	3/4-14	3/4-14	48	40	27	32
4810-16	25	1"	1-11	1-11	52	42	33	38

4720 Unione a T - femmina girevole

Swivel Female Union Tee



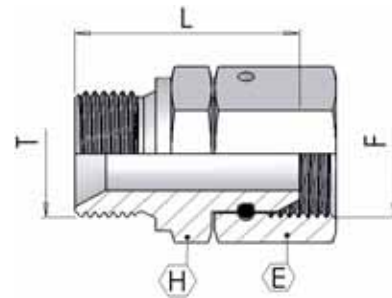
O-Ring

(*) - Femmina BSP con O-Ring
 (*) - BSP female with O-Ring

part number	Dimensions				
	F	B	C	H	E
4720-04	1/4-19	32	32	14	19
4720-06	3/8-19	33	33	19	22
4720-08	1/2-14	40	40	22	27
4720-12	3/4-14	48	48	27	32
4720-16	1-11	52	52	33	38
(*) 4720-20	1.1/4-11	58	58	41	50
(*) 4720-24	1.1/2-11	61	61	50	55

2350 Niplo mas./femm. girevole

Swivel Connector



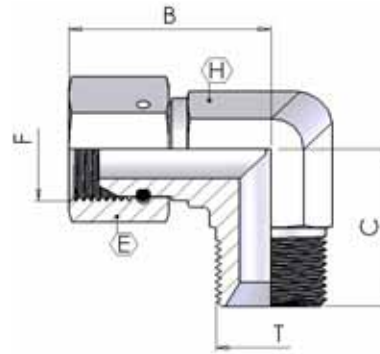
O-Ring

(*) - Femmina BSP con O-Ring
 (*) - BSP female with O-Ring

part number	Ø tube		Dimensions				
	mm	inch	T	F	L	H	E
2350-02-02	6	1/4"	1/8-28	1/8-28	23	14	14
2350-04-04	8	5/16"	1/4-19	1/4-19	32	19	19
2350-04-06	8	5/16"	1/4-19	3/8-19	33	19	22
2350-06-04	10	3/8"	3/8-19	1/4-19	31	22	19
2350-06-06	10	3/8"	3/8-19	3/8-19	35	22	22
2350-06-08	10	3/8"	3/8-19	1/2-19	36	22	27
2350-06-12	10	3/8"	3/8-19	3/4-14	39	27	32
2350-08-06	12	1/2"	1/2-14	3/8-19	38	27	22
2350-08-08	12	1/2"	1/2-14	1/2-14	40	27	27
2350-08-10	12	1/2"	1/2-14	5/8-14	37	27	30
2350-08-12	12	1/2"	1/2-14	3/4-14	42	27	32
2350-10-10	16	5/8"	5/8-14	5/8-14	41	30	30
2350-12-08	20	3/4"	3/4-14	1/2-14	42	32	27
2350-12-12	20	3/4"	3/4-14	3/4-14	44	32	32
2350-12-16	20	3/4"	3/4-14	1-11	44	32	38
2350-16-12	25	1"	1-11	3/4-19	47	41	32
2350-16-16	25	1"	1-11	1-11	49	41	38
(*) 2350-20-20	32	1.1/4"	1.1/4-11	1.1/4-11	55	50	50
(*) 2350-24-20	38	1.1/2"	1.1/2-11	1.1/4-11	58	55	50
(*) 2350-24-24	38	1.1/2"	1.1/2-11	1.1/2-11	58	55	55
(*) 2350-32-32	51	2"	2-11	2-11	62	70	70

4500 Unione 90° mas. /femm. girevole

Swivel 90° Elbow



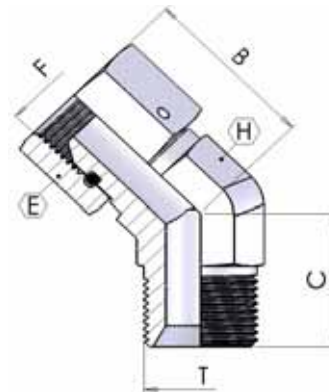
O-Ring

(*) - Femmina BSP con O-Ring
 (*) - BSP female with O-Ring

part number	Ø tube		Dimensions					
	mm	inch	F	T	B	C	H	E
4500-04	8	5/16"	1/4-19	1/4-19	31	26	14	19
4500-06	10	3/8"	3/8-19	3/8-19	37	32	19	22
4500-08	12	1/2"	1/2-14	1/2-14	42	36	22	27
4500-12	20	3/4"	3/4-14	3/4-14	48	40	27	32
4500-16	25	1"	1-11	1-11	52	42	33	38
(*) 4500-20	32	1.1/4"	1.1/4-11	1.1/4-11	58	52	41	50
(*) 4500-24	38	1.1/2"	1.1/2-11	1.1/2-11	61	59	50	55

4510 Unione 45° mas. /femm. girevole

Swivel 45° Elbow



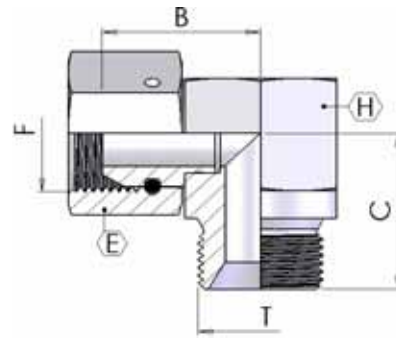
O-Ring

(*) - Femmina BSP con O-Ring
 (*) - BSP female with O-Ring

part number	Ø tube		Dimensions					
	mm	inch	F	T	B	C	H	E
4510-04	8	5/16"	1/4-19	1/4-19	26	21	14	19
4510-06	10	3/8"	3/8-19	3/8-19	30	25	19	22
4510-08	12	1/2"	1/2-14	1/2-14	34	28	22	27
4510-12	20	3/4"	3/4-14	3/4-14	41	33	27	32
4510-16	25	1"	1-11	1-11	49	39	33	38
(*) 4510-20	32	1.1/4"	1.1/4-11	1.1/4-11			41	50
(*) 4510-24	38	1.1/2"	1.1/2-11	1.1/2-11			50	55

3200 **Compatta 90° mas./femm. girevole (saldata)**

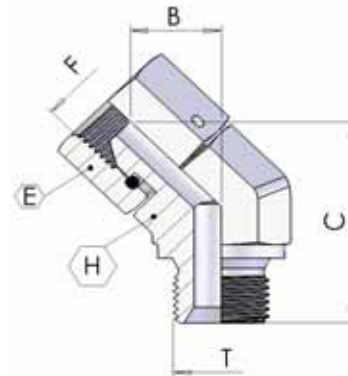
Swivel 90° Elbow (welded)



part number	Ø tube		Dimensions					
	mm	inch	F	T	B	C	H	E
3200-02-02	6	1/4"	1/8-28	1/8-28	17	16	14	14
3200-04-04	8	5/16"	1/4-19	1/4-19	20	23	19	19
3200-06-06	10	3/8"	3/8-19	3/8-19	24	25	22	22
3200-08-08	12	1/2"	1/2-14	1/2-14	28	31	27	27
3200-12-12	20	3/4"	3/4-14	3/4-14	33	35	32	32
3200-16-16	25	1"	1-11	1-11	39	43	41	38

3320 **Compatta 45° mas. /femm. girevole (Forgiata)**

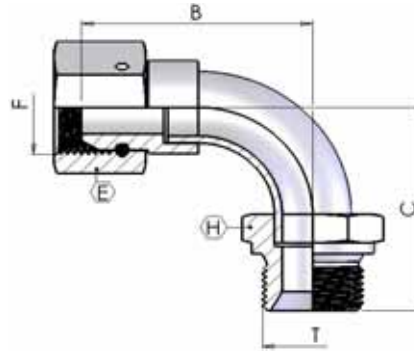
Swivel 45° Elbow (Forged)



part number	Ø tube		Dimensions					
	mm	inch	F	T	B	C	H	E
3320-04-04	8	5/16"	1/4-19	1/4-19	14	33	19	19
3320-06-06	10	3/8"	3/8-19	3/8-19	16	37	22	22
3320-08-08	12	1/2"	1/2-14	1/2-14	20	45	27	27
3320-12-12	20	3/4"	3/4-14	3/4-14	22	53	32	32
3320-16-16	25	1"	1-11	1-11	27	58	41	38

2550 Curva 90° mas/femm. Girevole (saldata)

Swivel 90° Elbow (welded)



O-Ring

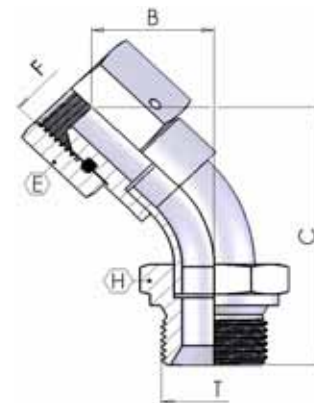
(*) - Femmina BSP con O-Ring

(*) - BSP female with O-Ring

part number	Ø tube		Dimensions					
	mm	inch	F	T	B	C	H	E
2550-04-04	8	5/16"	1/4-19	1/4-19	30	32	19	19
2550-06-06	10	3/8"	3/8-19	3/8-19	37	38	22	22
2550-08-08	12	1/2"	1/2-14	1/2-14	44	43	27	27
2550-12-12	20	3/4"	3/4-14	3/4-14	59	62	32	32
2550-16-16	25	1"	1-11	1-11	66	68	41	38
(*) 2550-20-20	32	1.1/4"	1.1/4-11	1.1/4-11	71	76	50	50
(*) 2550-24-24	38	1.1/2"	1.1/2-11	1.1/2-11	89	93	55	55
(*) 2550-32-32	51	2"	2-11	2-11	113	123	65	70

2650 Curva 45° mas/femm. Girevole (saldata)

Swivel 45° Elbow (welded)



O-Ring

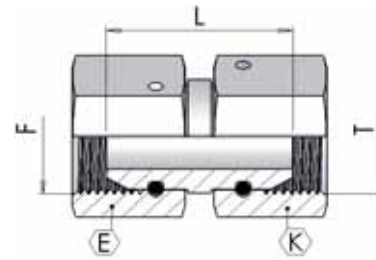
(*) - Femmina BSP con O-Ring

(*) - BSP female with O-Ring

part number	Ø tube		Dimensions					
	mm	inch	F	T	B	C	H	E
2650-04-04	8	5/16"	1/4-19	1/4-19	17	44	19	19
2650-06-06	10	3/8"	3/8-19	3/8-19	20	52	22	22
2650-08-08	12	1/2"	1/2-14	1/2-14	23	53	27	27
2650-12-12	20	3/4"	3/4-14	3/4-14	29	73	32	32
2650-16-16	25	1"	1-11	1-11	35	85	41	38
(*) 2650-20-20	32	1.1/4"	1.1/4-11	1.1/4-11	33	84	50	50
(*) 2650-24-24	38	1.1/2"	1.1/2-11	1.1/2-11	41	103	55	55
(*) 2650-32-32	51	2"	2-11	2-11	53	134	65	70

2450 Nipplo femmina girevole

Swivel Connector



O-Ring

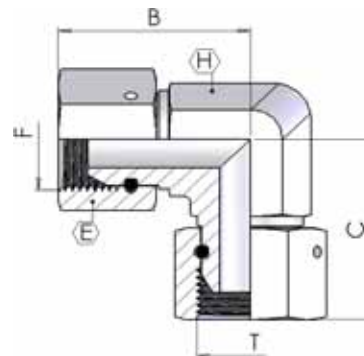
(*) - Femmina BSP con O-Ring

(*) - BSP female with O-Ring

part number	Dimensions						
	F	T	L	K	E		
2450-04-04	1/4-19	1/4-19	22	19	19		
2450-06-06	3/8-19	3/8-19	29	22	22		
2450-08-08	1/2-14	1/2-14	32	27	27		
2450-10-10	5/8-14	5/8-14	29	30	30		
2450-12-12	3/4-14	3/4-14	37	32	32		
2450-16-16	1-11	1-11	43	38	38		
(*) 2450-20-20	1.1/4-11	1.1/4-11	50	50	50		
(*) 2450-24-24	1.1/2-11	1.1/2-11	53	55	55		
(*) 2450-32-32	2-11	2-11	50	70	70		

4550 Unione 90° femmina girevole

Swivel 90° Elbow



O-Ring

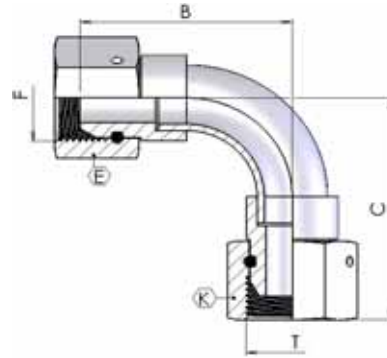
(*) - Femmina BSP con O-Ring

(*) - BSP female with O-Ring

part number	Dimensions							
	F	T	B	C	H	E		
4550-04	1/4-19	1/4-19	31	31	14	19		
4550-06	3/8-19	3/8-19	37	37	19	22		
4550-08	1/2-14	1/2-14	42	42	22	27		
4550-12	3/4-14	3/4-14	48	48	27	32		
4550-16	1-11	1-11	52	52	33	38		
(*) 4550-20	1.1/4-11	1.1/4-11	58	58	41	50		
(*) 4550-24	1.1/2-11	1.1/2-11	61	61	50	55		

2750 Curva 90° femmina girevole (saldata)

Swivel 90° Elbow (welded)



O-Ring

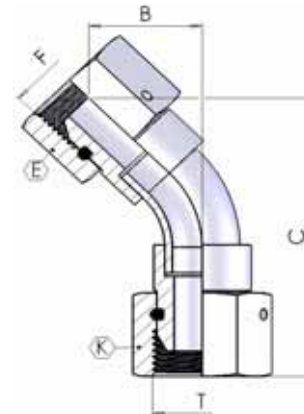
(*) - Femmina BSP con O-Ring

(*) - BSP female with O-Ring

part number	Dimensions					
	F	T	B	C	K	E
2750-04-04	1/4-19	1/4-19	30	35	19	19
2750-06-06	3/8-19	3/8-19	37	43	22	22
2750-08-08	1/2-14	1/2-14	44	19	27	27
2750-12-12	3/4-14	3/4-14	59	67	32	32
2750-16-16	1-11	1-11	66	76	38	38
(*) 2750-20-20	1.1/4-11	1.1/4-11	71	50	50	50
(*) 2750-24-24	1.1/2-11	1.1/2-11	89	98	55	55
(*) 2750-32-32	2-11	2-11	113	127	70	70

2850 Curva 45° femmina girevole (saldata)

Swivel 45° Elbow (welded)



O-Ring

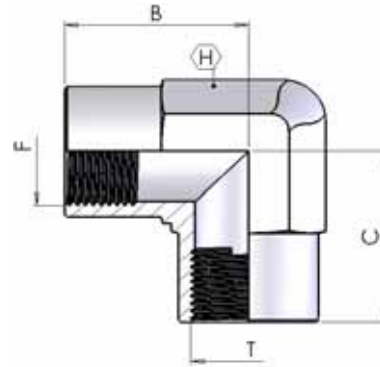
(*) - Femmina BSP con O-Ring

(*) - BSP female with O-Ring

part number	Dimensions					
	F	T	B	C	K	E
2850-04-04	1/4-19	1/4-19	17	47	19	19
2850-06-06	3/8-19	3/8-19	20	57	22	22
2850-08-08	1/2-14	1/2-14	23	59	27	27
2850-12-12	3/4-14	3/4-14	29	79	32	32
2850-16-16	1-11	1-11	35	93	38	38
(*) 2850-20-20	1.1/4-11	1.1/4-11	33	87	50	50
(*) 2850-24-24	1.1/2-11	1.1/2-11	41	108	55	55
(*) 2850-32-32	2-11	2-11	53	139	70	70

4570 Unione 90° - femmina fissa

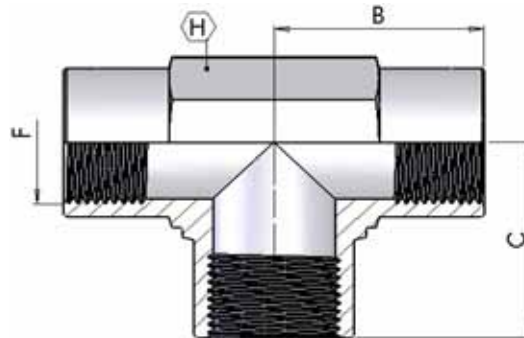
90° Elbow Union



part number	Dimensions				
	F	T	B	C	H
4570-04	1/4-19	1/4-19	27	27	19
4570-06	3/8-19	3/8-19	34	34	22
4570-08	1/2-14	1/2-14	36	36	27
4570-12	3/4-14	3/4-14	46	46	32
4570-16	1-11	1-11	50	50	41

4820 Unione a T - femmina fissa

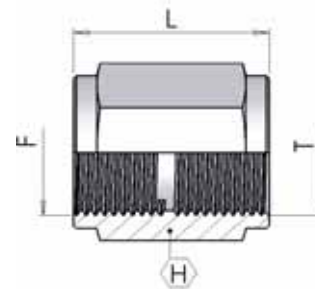
Union Tee



part number	Dimensions			
	F	B	C	H
4820-04	1/4-19	27	27	19
4820-06	3/8-19	32	32	22
4820-08	1/2-14	36	36	27
4820-12	3/4-14	43	43	32
4820-16	1-11	52	52	41

A105 Unione femmina fissa

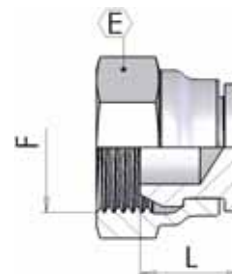
Union



part number	Dimensions			
	F	T	L	H
A105-02-02	1/8-28	1/8-28	21	14
A105-02-06	1/8-28	3/8-19	29	22
A105-04-04	1/4-19	1/4-19	29	19
A105-04-06	1/4-19	3/8-19	31	22
A105-06-06	3/8-19	3/8-19	29	22
A105-08-08	1/2-14	1/2-14	34	27
A105-12-12	3/4-14	3/4-14	38	32
A105-16-16	1-11	1-11	43	41
A105-20-20	1.1/4-11	1.1/4-11	47	50
A105-24-24	1.1/2-11	1.1/2-11	51	55
A105-32-32	2-11	2-11	57	70

A608 Tappo femmina girevole

Female Plug Swivel



O-Ring

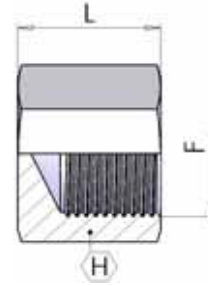
(*) - Femmina BSP con O-Ring

(*) - BSP female with O-Ring

part number	Dimensions		
	F	L	E
A608-02	1/8-28	11	14
A608-04	1/4-19	14	19
A608-06	3/8-19	15	22
A608-08	1/2-14	16	27
A608-10	5/8-14	16	30
A608-12	3/4-14	18	32
A608-16	1-11	20	38
(*) A608-20	1.1/4-11	24	50
(*) A608-24	1.1/2-11	27	55
(*) A608-32	2-11	24	70

A604 Tappo femmina fissa

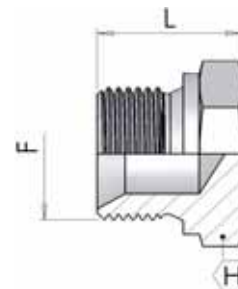
Female Plug



part number	Dimensions		
	F	L	H
A604-02	1/8-28	16	14
A604-04	1/4-19	19	19
A604-06	3/8-19	21	22
A604-08	1/2-14	23	27
A604-10	5/8-14	25	30
A604-12	3/4-14	28	32
A604-16	1-11	31	41
A604-20	1.1/4-11	36	50
A604-24	1.1/2-11	41	55
A604-32	2-11	46	70

A605 Tappo maschio

Male plug



part number	Dimensions		
	F	L	H
A605-02	1/8-28	15	14
A605-04	1/4-19	19	19
A605-06	3/8-19	22	22
A605-08	1/2-14	25	27
A605-10	5/8-14	27	30
A605-12	3/4-14	27	32
A605-16	1-11	30	41
A605-20	1.1/4-11	34	50
A605-24	1.1/2-11	39	55
A605-32	2-11	43	70

A051 **Ogiva a saldare con dado girevole**

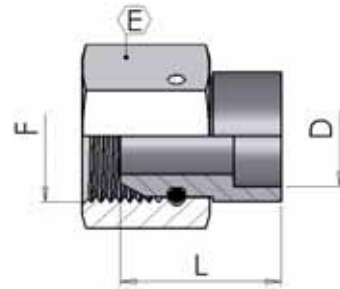
Swivel Female Weldable End



O-Ring

(*) - Femmina BSP con O-Ring

(*) - BSP female with O-Ring



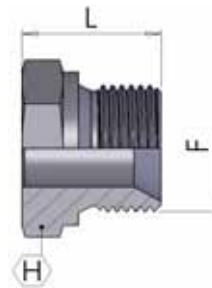
trattamento superficiale:
surface treatment:

non zincato
without zinc plating

part number	Dimensions			
	F	L	D	E
A051-02	1/8-28	16	6	14
A051-04	1/4-19	18	8	19
A051-06	3/8-19	21	12	22
A051-08	1/2-14	24	14	27
A051-10	5/8-14	23	18	30
A051-12	3/4-14	29	20	32
A051-16	1-11	28	25	38
(*) A051-20	1.1/4-11	30	32	50
(*) A051-24	1.1/2-11	31	38	55
(*) A051-32	2-11	33	50	70

1850 **Mezzo nipplo a saldare**

Male Weldable End



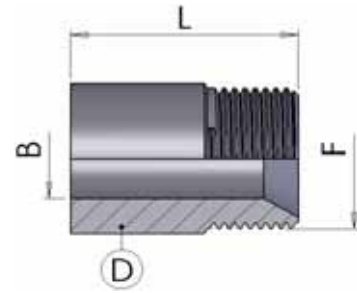
trattamento superficiale:
surface treatment:

non zincato
without zinc plating

part number	Dimensions		
	F	L	H
1850-02	1/8-28	15	14
1850-04	1/4-19	20	19
1850-06	3/8-19	22	22
1850-08	1/2-14	25	27
1850-10	5/8-14	27	30
1850-12	3/4-14	27	32
1850-16	1-11	30	41
1850-20	1.1/4-11	34	50
1850-24	1.1/2-11	35	55
1850-32	2-11	43	70

220C Mezzo nipplo tondo a saldare

Male Weldable End

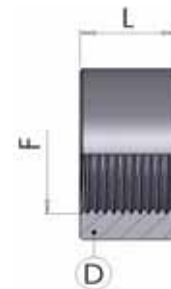


trattamento superficiale: non zincato
 surface treatment: without zinc plating

part number	Dimensions			
	F	L	B	D
220C-04	1/4-19	30	7	14
220C-06	3/8-19	32	9	17
220C-08	1/2-14	34	12	21
220C-12	3/4-14	40	15	28
220C-16	1-11	41	20	35

2200 Borchia a saldare

Threaded Sleeve

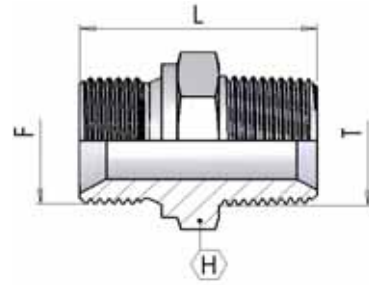


trattamento superficiale: non zincato
 surface treatment: without zinc plating

part number	Dimensions		
	F	L	D
2200-02	1/8-28	14	20
2200-04	1/4-19	16	22
2200-06	3/8-19	17	26
2200-08	1/2-14	18	30
2200-10	5/8-14	20	32
2200-12	3/4-14	20	38
2200-16	1-11	25	45
2200-20	1.1/4-11	25	55
2200-24	1.1/2-11	30	62
2200-32	2-11	30	70

1865 Nipplo maschio BSP/BSPT

Male Connector BSP/BSPT



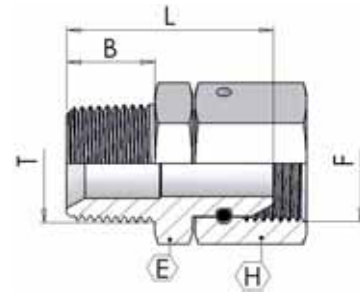
Filettatura / Thread:

BSPT (Form C DIN 3852)

part number	Ø tube		Dimensions				
	mm	inch	F	T	L	H	
1865-02-02	6	1/4"	1/8-28	1/8-28	24	14	
1865-04-04	8	5/16"	1/4-19	1/4-19	34	19	
1865-06-06	10	3/8"	3/8-19	3/8-19	36	22	
1865-08-08	12	1/2"	1/2-14	1/2-14	43	27	
1865-08-12	12	1/2"	1/2-14	3/4-14	46	27	
1865-12-12	20	3/4"	3/4-14	3/4-14	46	32	
1865-12-20	20	3/4"	3/4-14	1.1/4-11	55	46	
1865-16-16	25	1"	1-11	1-11	54	41	
1865-20-20	32	1.1/4"	1.1/4-11	1.1/4-11	59	50	
1865-24-24	38	1.1/2"	1.1/2-11	1.1/2-11	60	55	
1865-32-32	51	2"	2-11	2-11	69	70	

2360 Nipplo M BSPT / F Girevole BSP

Swivel Connector Female BSP/ Male BSPT



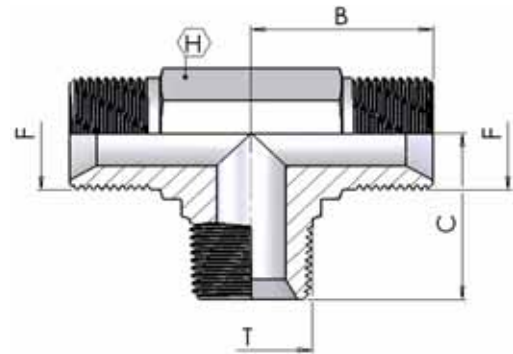
Filettatura / Thread:

BSPT (Form C DIN 3852)

part number	Ø tube		Dimensions					
	mm	inch	F	T	L	B	E	H
2360-02-02	6	1/4"	1/8"	1/8"	29	10	11	14
2360-04-02	6	1/4"	1/8"	1/4"	33	15	14	14
2360-04-04	8	5/16"	1/4"	1/4"	33	15	14	19
2360-04-06	10	3/8"	3/8"	1/4"	36	15	16	22
2360-06-04	8	5/16"	1/4"	3/8"	34	15	19	19
2360-06-06	10	3/8"	3/8"	3/8"	36	15	19	22
2360-06-08	12	1/2"	1/2"	3/8"	40	15	22	27
2360-08-06	10	3/8"	3/8"	1/2"	42	19	22	22
2360-08-08	12	1/2"	1/2"	1/2"	41	18	22	27
2360-08-12	20	3/4"	3/4"	1/2"	47	19	27	32
2360-12-08	12	1/2"	1/2"	3/4"	47	19	27	27
2360-12-12	20	3/4"	3/4"	3/4"	47	19	27	32
2360-12-16	25	1"	1"	3/4"	55	19	32	41
2360-16-12	20	3/4"	3/4"	1"	54	24	36	32
2360-16-16	25	1"	1"	1"	60	24	36	41
2360-16-20	32	1.1/4"	1.1/4"	1"	62	24	41	50
2360-20-20	32	1.1/4"	1.1/4"	1.1/4"	62	25	46	50
2360-20-24	38	1.1/2"	1.1/2"	1.1/4"	66	25	46	60
2360-24-24	38	1.1/2"	1.1/2"	1.1/2"	67	26	50	60

4860 T con maschio BSPT centrale

BSPT Branch Tee



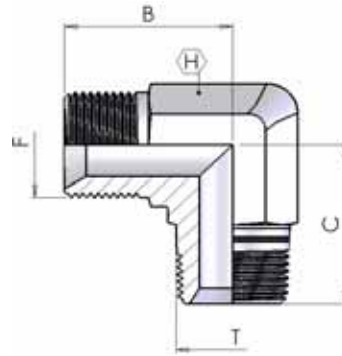
Filettatura / Thread:

BSPT (Form C DIN 3852)

part number	Ø tube		Dimensions				
	mm	inch	F	T	B	C	H
4860-04	8	5/16"	1/4-19	1/4-19	27	27	14
4860-06	10	3/8"	3/8-19	3/8-19	28	28	19
4860-08	12	1/2"	1/2-14	1/2-14	34	34	22
4860-12	20	3/4"	3/4-14	3/4-14	40	40	27
4860-16	25	1"	1-11	1-11	42	42	33
4860-20	32	1.1/4"	1.1/4-11	1.1/4-11	52	52	41

4620 **Gomito 90° M BSP/ M BSPT**

90° connector BSP male x BSPT male

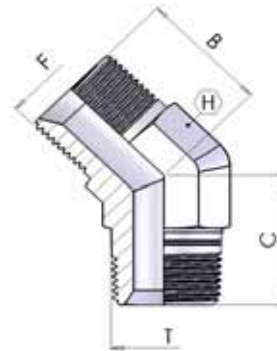


Filettatura / Thread:
BSPT (Form C DIN 3852)

part number	Ø tube		Dimensions					
	mm	inch	F	T	B	C	H	
4620-02	6	1/4"	1/8-28	1/8-28	26	26	14	
4620-04	8	5/16"	1/4-19	1/4-19	26	26	14	
4620-06	10	3/8"	3/8-19	3/8-19	32	32	19	
4620-08	12	1/2"	1/2-14	1/2-14	36	36	22	
4620-12	20	3/4"	3/4-14	3/4-14	40	40	27	
4620-16	25	1"	1-11	1-11	42	42	33	
4620-20	32	1.1/4"	1.1/4-11	1.1/4-11	52	52	41	
4620-24	38	1.1/2"	1.1/2-11	1.1/2-11	59	59	50	

4630 **Gomito 45° M BSP/ M BSPT**

45° connector BSP male x BSPT male

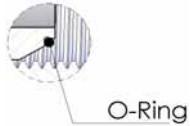


Filettatura / Thread:
BSPT (Form C DIN 3852)

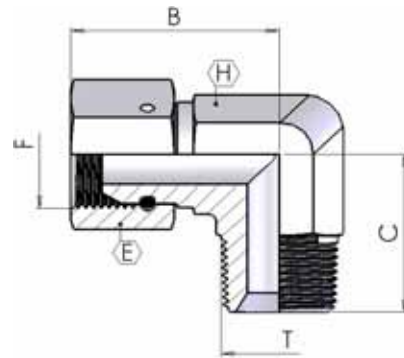
part number	Ø tube		Dimensions					
	mm	inch	F	T	B	C	H	
4630-04	8	5/16"	1/4-19	1/4-19	21	21	14	
4630-06	10	3/8"	3/8-19	3/8-19	25	25	19	
4630-08	12	1/2"	1/2-14	1/2-14	28	28	22	
4630-12	20	3/4"	3/4-14	3/4-14	33	33	27	
4630-16	25	1"	1-11	1-11	41	41	33	
4630-20	32	1.1/4"	1.1/4-11	1.1/4-11			41	
4630-24	38	1.1/2"	1.1/2-11	1.1/2-11			50	

4600 **Gomito 90° femm.gir./maschio conico**

90° connector BSP swivel female x BSPT male



(*) - Femmina BSP con O-Ring
 (*) - BSP female with O-Ring



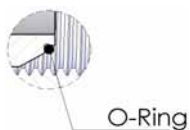
Filettatura / Thread:

BSPT (Form C DIN 3852)

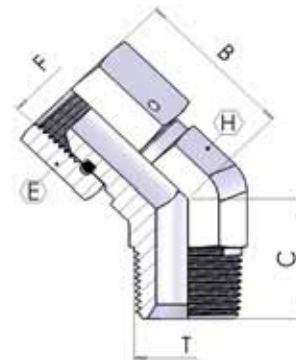
part number	Ø tube		Dimensions					
	mm	inch	F	T	B	C	H	E
4600-04	8	5/16"	1/4-19	1/4-19	29	27	14	19
4600-06	10	3/8"	3/8-19	3/8-19	34	32	19	22
4600-08	12	1/2"	1/2-14	1/2-14	42	36	22	27
4600-12	20	3/4"	3/4-14	3/4-14	48	40	27	32
4600-16	25	1"	1-11	1-11	58	48	33	38
(*) 4600-20	32	1.1/4"	1.1/4-11	1.1/4-11	58	52	41	50
(*) 4600-24	38	1.1/2"	1.1/2-11	1.1/2-11	61	59	50	55

4610 **Gomito 45° femm.gir./maschio conico**

45° connector BSP swivel female x BSPT male



(*) - Femmina BSP con O-Ring
 (*) - BSP female with O-Ring



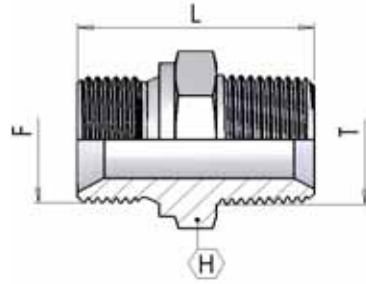
Filettatura / Thread:

BSPT (Form C DIN 3852)

part number	Ø tube		Dimensions					
	mm	inch	F	T	B	C	H	E
4610-04	8	5/16"	1/4-19	1/4-19	22	21	14	19
4610-06	10	3/8"	3/8-19	3/8-19	27	25	19	22
4610-08	12	1/2"	1/2-14	1/2-14	31	28	22	27
4610-12	20	3/4"	3/4-14	3/4-14	37	31	27	32
4610-16	25	1"	1-11	1-11	40	37	33	38
(*) 4610-20	32	1.1/4"	1.1/4-11	1.1/4-11			41	50
(*) 4610-24	38	1.1/2"	1.1/2-11	1.1/2-11			50	55

1875 Nipplo maschio BSP/NPTF

Male Connector BSP/NPTF



Filettatura / Thread:

NPT (ANSI/ASME B1, 20, 1-1983)

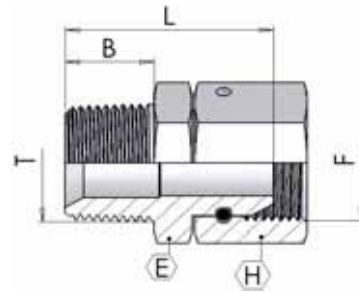
part number	Ø tube		Dimensions				
	mm	inch	F	T	L	H	
1875-04-04	8	5/16"	1/4-19	1/4-18	35	19	
1875-04-06	8	5/16"	1/4-19	3/8-18	35	19	
1875-04-08	8	5/16"	1/4-19	1/2-14	41	22	
1875-06-04	10	3/8"	3/8-19	1/4-18	36	22	
1875-06-06	10	3/8"	3/8-19	3/8-18	36	22	
1875-06-08	10	3/8"	3/8-19	1/2-14	41	22	
1875-08-06	12	1/2"	1/2-14	3/8-18	39	27	
1875-08-08	12	1/2"	1/2-14	1/2-14	44	27	
1875-08-12	12	1/2"	1/2-14	3/4-14	46	27	
1875-12-08	20	3/4"	3/4-14	1/2-14	46	32	
1875-12-12	20	3/4"	3/4-14	3/4-14	48	32	
1875-12-16	20	3/4"	3/4-14	1-11.1/2	53	36	
1875-16-12	25	1"	1-11	3/4-14	49	41	
1875-16-16	25	1"	1-11	1-11.1/2	55	41	
1875-20-20	32	1.1/4"	1-1/4-11	1.1/4-11.1/2	59	50	
1875-20-24	32	1.1/4"	1-1/4-11	1.1/2-11.1/2	61	50	
1875-24-24	38	1.1/2"	1.1/2-11	1.1/2-11.1/2	63	55	
1875-32-32	51	2"	2-11	2-11.1/2	69	70	

2365 Nipplo M NPTF / F Girevole BSP

Swivel Connector Female BSP/ Male NPTF

Filettatura / Thread:

NPT (ANSI/ASME B1, 20, 1-1983)



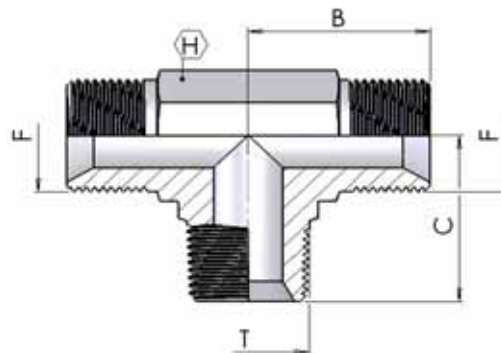
part number	Ø tube		Dimensions					
	mm	inch	F	T	L	B	E	H
2365-02-02	6	1/4"	1/8-28	1/8-28	29	10	11	14
2365-04-02	6	1/4"	1/8-28	1/4-18	33	15	14	14
2365-04-04	8	5/16"	1/4-19	1/4-18	33	15	14	19
2365-04-06	10	3/8"	3/8-19	1/4-18	36	15	16	22
2365-06-04	8	5/16"	1/4-19	3/8-18	34	15	19	19
2365-06-06	10	3/8"	3/8-19	3/8-18	36	15	19	22
2365-06-08	12	1/2"	1/2-14	3/8-18	40	15	22	27
2365-08-06	10	3/8"	3/8-19	1/2-14	42	19	22	22
2365-08-08	12	1/2"	1/2-14	1/2-14	45	19	22	27
2365-08-12	20	3/4"	3/4-14	1/2-14	47	19	27	32
2365-12-08	12	1/2"	1/2-14	3/4-14	47	19	27	27
2365-12-12	20	3/4"	3/4-14	3/4-14	47	19	27	32
2365-12-16	25	1"	1-11	3/4-14	55	19	32	41
2365-16-12	20	3/4"	3/4-14	1-11.1/2	54	24	36	32
2365-16-16	25	1"	1-11	1-11.1/2	60	24	36	41
2365-16-20	32	1.1/4"	1.1/4-11	1-11.1/2	62	24	41	50
2365-20-20	32	1.1/4"	1.1/4-11	1.1/4-11.1/2	62	25	46	50
2365-20-24	38	1.1/2"	1.1/2-11	1.1/4-11.1/2	66	25	46	60
2365-24-24	38	1.1/2"	1.1/2-11	1.1/2-11.1/2	67	26	50	60

4870 T con maschio NPTF centrale

NPTF male branch Tee

Filettatura / Thread:

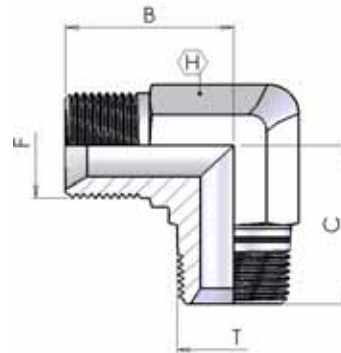
NPT (ANSI/ASME B1, 20, 1-1983)



part number	Ø tube		Dimensions				
	mm	inch	F	T	B	C	H
4870-04	8	5/16"	1/4-19	1/4-18	27	27	14
4870-06	10	3/8"	3/8-19	3/8-18	32	32	19
4870-08	12	1/2"	1/2-14	1/2-14	36	37	22
4870-12	20	3/4"	3/4-14	3/4-14	40	40	27
4870-16	25	1"	1-11	1-11.1/2	50	50	33
4870-20	32	1.1/4"	1.1/4-11	1.1/4-11.1/2	52	52	41

4670 **Gomito 90° M BSP/ M NPTF**

90° connector BSP male x NPTF male



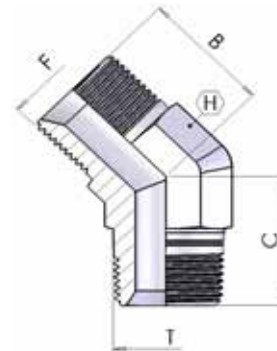
Filettatura / Thread:

NPT (ANSI/ASME B1, 20, 1-1983)

part number	Ø tube		Dimensions				
	mm	inch	F	T	B	C	H
4670-04	8	5/16"	1/4-19	1/4-18	26	26	14
4670-06	10	3/8"	3/8-19	3/8-18	32	32	19
4670-08	12	1/2"	1/2-14	1/2-14	36	36	22
4670-12	20	3/4"	3/4-14	3/4-14	40	40	27
4670-16	25	1"	1-11	1-11.1/2	42	42	33
4670-20	32	1.1/4"	1.1/4-11	1.1/4-11.1/2	52	52	41
4670-24	38	1.1/2"	1.1/2-11	1.1/2-11.1/2	59	59	50

4680 **Gomito 45° M BSP/ M NPTF**

45° connector BSP male x NPTF male



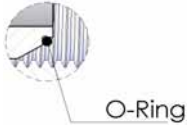
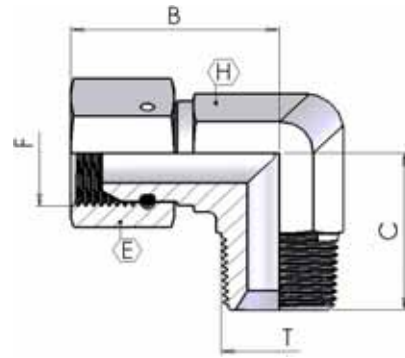
Filettatura / Thread:

NPT (ANSI/ASME B1, 20, 1-1983)

part number	Ø tube		Dimensions				
	mm	inch	F	T	B	C	H
4680-04	8	5/16"	1/4-19	1/4-18	21	21	14
4680-06	10	3/8"	3/8-19	3/8-18	25	25	19
4680-08	12	1/2"	1/2-14	1/2-14	30	28	22
4680-12	20	3/4"	3/4-14	3/4-14	33	33	27
4680-16	25	1"	1-11	1-11.1/2	41	41	33
4680-20	32	1.1/4"	1.1/4-11	1.1/4-11.1/2	46	46	41
4680-24	38	1.1/2"	1.1/2-11	1.1/2-11.1/2			50

4650 Gomito 90° femm.gir. BSP/M NPTF

90° connector BSP swivel female x NPTF male



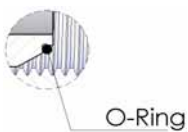
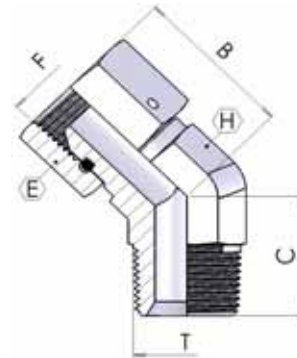
(*) - Femmina BSP con O-Ring
 (*) - BSP female with O-Ring

Filettatura / Thread:
 NPT (ANSI/ASME B1, 20, 1-1983)

part number	Ø tube		Dimensions					
	mm	inch	F	T	B	C	H	E
4650-04	8	5/16"	1/4-19	1/4-18	29	27	14	19
4650-06	10	3/8"	3/8-19	3/8-18	34	32	19	22
4650-08	12	1/2"	1/2-14	1/2-14	40	36	22	27
4650-12	20	3/4"	3/4-14	3/4-14	46	40	27	32
4650-16	25	1"	1-11	1-11.1/2	52	50	33	38
(*) 4650-20	32	1.1/4"	1.1/4-11	1.1/4-11.1/2	54	52	41	50
(*) 4650-24	38	1.1/2"	1.1/2-11	1.1/2-11.1/2	61	59	50	55

4660 Gomito 45° femm.gir. BSP/M NPTF

45° connector BSP swivel female x NPTF male



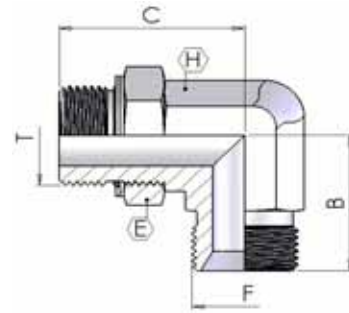
(*) - Femmina BSP con O-Ring
 (*) - BSP female with O-Ring

Filettatura / Thread:
 NPT (ANSI/ASME B1, 20, 1-1983)

part number	Ø tube		Dimensions					
	mm	inch	F	T	B	C	H	E
4660-04	8	5/16"	1/4-19	1/4-18	21	21	14	19
4660-06	10	3/8"	3/8-19	3/8-18	25	25	19	22
4660-08	12	1/2"	1/2-14	1/2-14	28	29	22	27
4660-12	20	3/4"	3/4-14	3/4-14	33	33	27	32
4660-16	25	1"	1-11	1-11.1/2	37	37	33	38
(*) 4660-20	32	1.1/4"	1.1/4-11	1.1/4-11.1/2			41	50
(*) 4660-24	38	1.1/2"	1.1/2-11	1.1/2-11.1/2			50	55

3900 Curva Orientabile BSP/BSP

Adjustable Elbow BSP/BSP



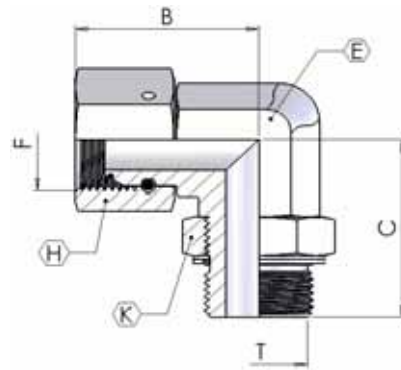
Filettatura / Thread:
BSPP (ISO 1179-3)

part number	Ø tube		Dimensions						
	mm	inch	F	T	B	C	H	E	
3900-02-02	6	1/4"	1/8	1/8	23	26	12	14	
3900-04-02	6	1/4"	1/8	1/4	27	32	14	19	
3900-04-04	8	5/16"	1/4	1/4	27	32	14	19	
3900-04-06	10	3/8"	3/8	1/4	32	34	19	19	
3900-06-02	6	1/4"	1/8	3/8	29	37	19	24	
3900-06-04	8	5/16"	1/4	3/8	29	37	19	24	
3900-06-06	10	3/8"	3/8	3/8	32	37	19	24	
3900-06-08	12	1/2"	1/2	3/8	37	40	22	24	
3900-08-04	8	5/16"	1/4	1/2	31	43	22	27	
3900-08-06	10	3/8"	3/8	1/2	34	43	22	27	
3900-08-08	12	1/2"	1/2	1/2	37	43	22	27	
3900-08-12	20	3/4"	3/4	1/2	42	46	27	27	
3900-12-06	10	3/8"	3/8	3/4	37	49	27	36	
3900-12-08	12	1/2"	1/2	3/4	40	49	27	36	
3900-12-12	20	3/4"	3/4	3/4	42	49	27	36	
3900-12-16	25	1"	1	3/4	46	52	33	36	
3900-16-12	20	3/4"	3/4	1	45	52	33	41	
3900-16-16	25	1"	1	1	46	52	33	41	
3900-16-20	32	1.1/4"	1.1/4	1	52	57	41	41	
3900-20-16	25	1"	1	1.1/4	51	57	41	50	
3900-20-20	32	1.1/4"	1.1/4	1.1/4	52	57	41	50	
3900-24-24	38	1.1/2"	1.1/2	1.1/2	59	61	48	60	

3255

Curva 90° Orientabile Femm. Gir. BSP/Maschio BSPP

Adjustable 90° Elbow Swivel Female BSP/BSPP Male



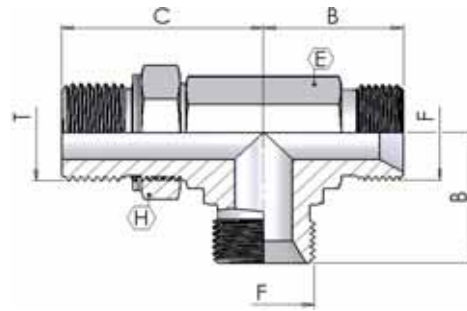
Filettatura / Thread:
BSPP (ISO 1179-3)

part number	Ø tube		Dimensions						
	mm	inch	F	T	B	C	E	H	K
3255-02-02	6	1/4"	1/8"	1/8"	25	26	12	14	14
3255-04-04	8	5/16"	1/4"	1/4"	27	32	14	19	19
3255-06-06	10	3/8"	3/8"	3/8"	32	37	19	22	24
3255-08-08	12	1/2"	1/2"	1/2"	37	43	22	27	27
3255-12-12	20	3/4"	3/4"	3/4"	42	49	27	32	36
3255-16-16	25	1"	1"	1"	46	52	33	41	41
3255-20-20	32	1.1/4"	1.1/4"	1.1/4"	52	57	41	50	50
3255-24-24	38	1.1/2"	1.1/2"	1.1/2"	59	61	48	60	60

3600

T BSP con maschio BSPP laterale orientabile

Adjustable Run Tee BSP/BSPP Male



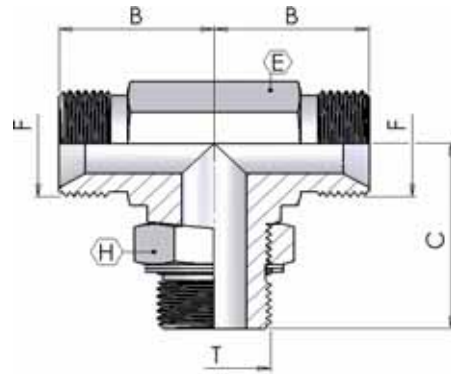
Filettatura / Thread:
BSPP (ISO 1179-3)

part number	Ø tube		Dimensions					
	mm	inch	F	T	B	C	E	H
3600-02-02	6	1/4"	1/8-28	1/8-28	23	26	12	14
3600-04-02	6	1/4"	1/8-28	1/4-19	27	32	14	19
3600-04-04	8	5/16"	1/4-19	1/4-19	27	32	14	19
3600-04-06	10	3/8"	3/8-19	1/4-19	32	34	19	19
3600-06-04	8	5/16"	1/4-19	3/8-19	29	37	19	24
3600-06-06	10	3/8"	3/8-19	3/8-19	32	37	19	24
3600-06-08	12	1/2"	1/2-14	3/8-19	37	49	27	36
3600-08-06	10	3/8"	3/8-19	1/2-14	34	43	22	27
3600-08-08	12	1/2"	1/2-14	1/2-14	37	40	22	24
3600-08-12	12	3/4"	1/2-14	1/2-14	40	49	27	36
3600-12-08	12	1/2"	1/2-14	3/4-11	37	43	22	27
3600-12-12	20	3/4"	3/4-11	3/4-11	42	46	27	27
3600-12-16	25	1"	1-11	3/4-11	45	52	33	41
3600-16-12	20	3/4"	3/4-11	1-11	42	49	27	36
3600-16-16	25	1"	1-11	1-11	46	52	33	36
3600-16-20	32	1.1/4"	1.1/4-11	1-11	46	52	33	41
3600-20-20	32	1.1/4"	1.1/4-11	1.1/4-11	51	57	41	50
3600-20-24	38	1.1/2"	1.1/2-11	1.1/4-11	52	57	41	50
3600-24-20	32	1.1/4"	1.1/4-11	1.1/2-11	52	57	41	41
3600-24-24	38	1.1/2"	1.1/2-11	1.1/2-11	59	61	48	60

3605 T BSP con maschio BSPP centrale orientabile

Adjustable Branch Tee BSP/BSPP Male

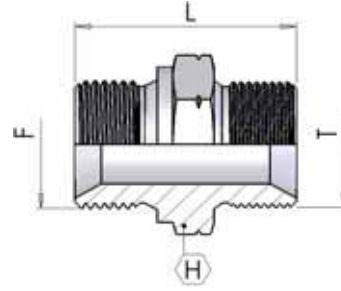
Filettatura / Thread:
BSPP (ISO 1179-3)



part number	Ø tube		Dimensions					
	mm	inch	F	T	B	C	E	H
3605-02-02	6	1/4"	1/8-28	1/8-28	23	26	12	14
3605-04-02	6	1/4"	1/8-28	1/4-19	27	32	14	19
3605-04-04	8	5/16"	1/4-19	1/4-19	27	32	14	19
3605-04-06	10	3/8"	3/8-19	1/4-19	32	34	19	19
3605-06-04	8	5/16"	1/4-19	3/8-19	29	37	19	24
3605-06-06	10	3/8"	3/8-19	3/8-19	32	37	19	24
3605-06-08	12	1/2"	1/2-14	3/8-19	37	49	27	36
3605-08-06	10	3/8"	3/8-19	1/2-14	34	43	22	27
3605-08-08	12	1/2"	1/2-14	1/2-14	37	40	22	24
3605-08-12	12	3/4"	3/4-11	1/2-14	40	49	27	36
3605-12-08	12	1/2"	1/2-14	3/4-11	37	43	22	27
3605-12-12	20	3/4"	3/4-11	3/4-11	42	46	27	27
3605-12-16	25	1"	1-11	3/4-11	45	52	33	41
3605-16-12	20	3/4"	3/4-11	1-11	42	49	27	36
3605-16-16	25	1"	1-11	1-11	46	52	33	36
3605-16-20	32	1.1/4"	1.1/4-11	1-11	46	52	33	41
3605-20-20	32	1.1/4"	1.1/4-11	1.1/4-11	51	57	41	50
3605-20-24	38	1.1/2"	1.1/2-11	1.1/4-11	52	57	41	50
3605-24-20	32	1.1/4"	1.1/4-11	1.1/2-11	52	57	41	41
3605-24-24	38	1.1/2"	1.1/2-11	1.1/2-11	59	61	48	60

1805 Nipplo maschio BSP/Metrico 60°

Male connector BSP male /Metric 60° cone

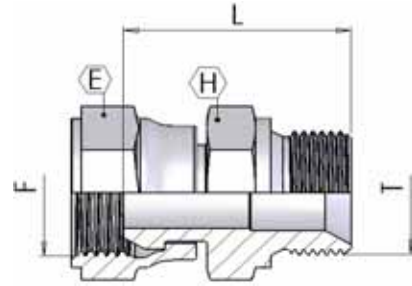


Filettatura / Thread:
Metric (DIN 7631)

part number	Ø tube		Dimensions				
	mm	inch	T	F	L	H	
1805-02-10	6	1/4"	1/8-28	M10 x 1	28	14	
1805-04-10	8	5/16"	1/4-19	M10 x 1	28	19	
1805-04-12	8	5/16"	1/4-19	M12 x 1.5	33	19	
1805-04-14	8	5/16"	1/4-19	M14 x 1.5	32	19	
1805-04-16	8	5/16"	1/4-19	M16 x 1.5	33	22	
1805-04-18	8	5/16"	1/4-19	M18 x 1.5	34	24	
1805-04-22	8	5/16"	1/4-19	M22 x 1.5	36	27	
1805-06-14	10	3/8"	3/8-19	M14 x 1.5	32	22	
1805-06-16	10	3/8"	3/8-19	M16 x 1.5	33	22	
1805-06-18	10	3/8"	3/8-19	M18 x 1.5	36	24	
1805-06-20	10	3/8"	3/8-19	M20 x 1.5	37	27	
1805-06-22	10	3/8"	3/8-19	M22 x 1.5	37	27	
1805-08-14	12	1/2"	1/2-14	M14 x 1.5	37	27	
1805-08-16	12	1/2"	1/2-14	M16 x 1.5	37	27	
1805-08-18	12	1/2"	1/2-14	M18 x 1.5	38	27	
1805-08-20	12	1/2"	1/2-14	M20 x 1.5	39	27	
1805-08-22	12	1/2"	1/2-14	M22 x 1.5	38	27	
1805-10-18	16	5/8"	5/8-14	M18 x 1.5	39	28	
1805-10-22	16	5/8"	5/8-14	M22 x 1.5	41	28	
1805-12-18	20	3/4"	3/4-14	M18 x 1.5	39	32	
1805-12-22	20	3/4"	3/4-14	M22 x 1.5	41	32	
1805-12-26	20	3/4"	3/4-14	M26 x 1.5	43	32	
1805-12-30	20	3/4"	3/4-14	M30 x 1.5	46	36	
1805-16-22	25	1"	1-11	M22 x 1.5	44	41	
1805-16-26	25	1"	1-11	M26 x 1.5	46	41	
1805-16-38	25	1"	1-11	M38 x 1.5	48	46	

2370 Femmina girevole Metrica cono 60°/BSP

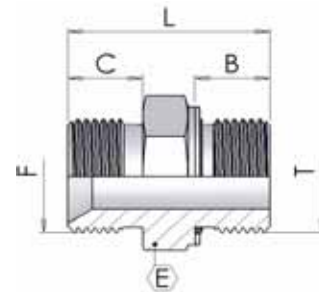
Swivel Nut Female Metric 60° cone/BSP



part number	Ø tube		Dimensions				
	mm	inch	F	T	L	E	H
2370-16-06	10	3/8"	M16x1,5	3/8-19	35	22	22
2370-16-08	12	1/2"	M16x1,5	1/2-14	38	22	27
2370-18-06	10	3/8"	M18x1,5	3/8-19	35	24	22
2370-18-08	12	1/2"	M18x1,5	1/2-14	38	24	27
2370-20-08	12	1/2"	M20x1,5	1/2-14	40	27	27

3510 Giunzione M BSP/M Metrico DIN 3852-1

Male Connector BSP/Metric DIN 3852-1

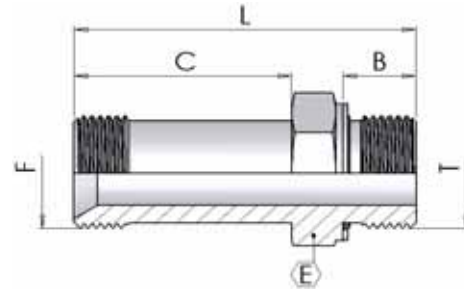


Filettatura / Thread:
Metric Parallel

part number	Ø tube		Dimensions					
	mm	inch	F	T	L	B	C	E
3510-10-02	6	1/4"	1/8-28	M10x1	24	9	8	16
3510-12-02	6	1/4"	1/8-28	M12x1,5	27	12	8	17
3510-14-04	8	5/16"	1/4-19	M14x1,5	31	11,5	11	19
3510-16-04	8	5/16"	1/4-19	M16x1,5	32	13	11	22
3510-16-06	10	3/8"	3/8-19	M16x1,5	33	12,5	12	22
3510-18-06	10	3/8"	3/8-19	M18x1,5	35	14	12	24
3510-18-08	12	1/2"	1/2-14	M18x1,5	37	13,5	14	24
3510-22-08	12	1/2"	1/2-14	M22x1,5	39	15	14	30
3510-22-12	20	3/4"	3/4-11	M22x1,5	42	15	16	30
3510-27-12	20	3/4"	3/4-11	M27x2	47	19	16	36
3510-27-16	25	1"	1-11	M27x2	50	18,5	19	36
3510-33-16	25	1"	1-11	M33x2	50	19	19	41
3510-42-20	32	1.1/4"	1.1/4-11	M42x2	54	19,5	20	50
3510-48-24	38	1.1/2"	1.1/2-11	M48x2	60	22	22	60

3515 **Giunzione M/M Lunga BSP/ Metrico DIN 3852-1**

Long Male Connector BSP/Metric DIN 3852-1

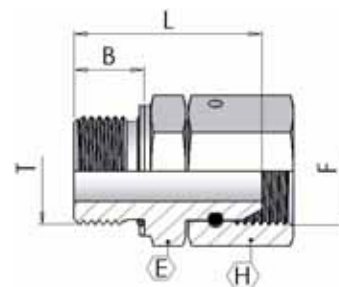


Filettatura / Thread:
Metric Parallel

part number	Ø tube		Dimensions					
	mm	inch	F	T	L	B	C	E
3515-10-02	6	1/4"	1/8-28	M10x1	45	9	29	16
3515-12-02	6	1/4"	1/8-28	M12x1,5	48	12	29	17
3515-14-04	8	5/16"	1/4-19	M14x1,5	56	12	36	19
3515-16-04	8	5/16"	1/4-19	M16x1,5	57	13	36	22
3515-16-06	10	3/8"	3/8-19	M16x1,5	64	13	43	22
3515-18-06	10	3/8"	3/8-19	M18x1,5	66	14	43	24
3515-18-08	12	1/2"	1/2-14	M18x1,5	70	14	48	24
3515-22-08	12	1/2"	1/2-14	M22x1,5	73	15	48	30
3515-22-12	20	3/4"	3/4-11	M22x1,5	83	15	57	30
3515-27-12	20	3/4"	3/4-11	M27x2	88	19	57	36
3515-27-16	25	1"	1-11	M27x2	99	19	68	36
3515-33-16	25	1"	1-11	M33x2	99	19	68	41
3515-42-20	32	1.1/4"	1.1/4-11	M42x2	117	20	84	50
3515-48-24	38	1.1/2"	1.1/2-11	M48x2	130	22	93	60

3560 **Femmina Girevole BSP/Metrico DIN 3852-1**

Swivel Nut Female BSP/Metric DIN 3852-1



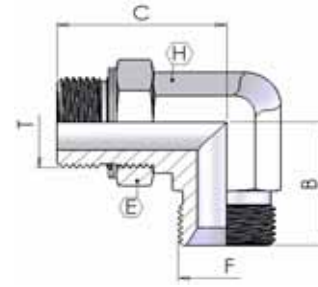
Filettatura / Thread:
Metric Parallel

part number	Ø tube		Dimensions					
	mm	inch	F	T	L	B	E	H
3560-10-02	6	1/4"	1/8"	M10x1	28	9	16	14
3560-12-02	6	1/4"	1/8"	M12x1,5	30	12	17	14
3560-14-04	8	5/16"	1/4"	M14x1,5	30	12	19	19
3560-16-04	8	5/16"	1/4"	M16x1,5	32	13	22	19
3560-16-06	10	3/8"	3/8"	M16x1,5	34	13	22	22
3560-18-06	10	3/8"	3/8"	M18x1,5	35	14	24	22
3560-18-08	12	1/2"	1/2"	M18x1,5	39	14	24	27
3560-22-08	12	1/2"	1/2"	M22x1,5	41	15	30	27
3560-22-12	20	3/4"	3/4"	M22x1,5	43	15	30	32
3560-27-12	20	3/4"	3/4"	M27x2	47	19	36	32
3560-27-16	25	1"	1"	M27x2	54	19	36	41
3560-33-16	25	1"	1"	M33x2	54	19	41	41
3560-42-20	32	1.1/4"	1.1/4"	M42x2	57	20	50	50
3560-48-24	38	1.1/2"	1.1/2"	M48x2	63	22	60	60

**3910 Curva Orientabile BSP/Metrico
DIN 3852-1**

Adjustable Elbow BSP/Metric DIN 3852-1

Filettatura / Thread:
Metric Parallel

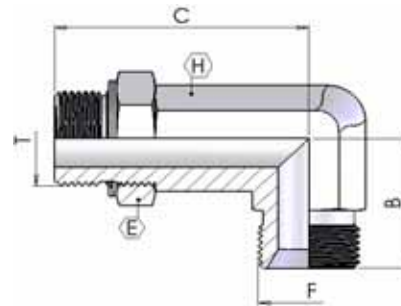


part number	Ø tube		Dimensions					
	mm	inch	F	T	B	C	H	E
3910-10-02	6	1/4"	1/8"	M10x1	23	27	12	14
3910-12-02	6	1/4"	1/8"	M12x1,5	27	32	14	17
3910-14-04	8	5/16"	1/4"	M14x1,5	27	32	14	19
3910-16-04	8	5/16"	1/4"	M16x1,5	29	38	19	22
3910-16-06	10	3/8"	3/8"	M16x1,5	32	38	19	22
3910-18-06	10	3/8"	3/8"	M18x1,5	32	40	19	24
3910-18-08	12	1/2"	1/2"	M18x1,5	37	41	22	24
3910-22-08	12	1/2"	1/2"	M22x1,5	37	43	22	27
3910-22-12	20	3/4"	3/4"	M22x1,5	42	45	27	27
3910-27-12	20	3/4"	3/4"	M27x2	42	52	27	36
3910-27-16	25	1"	1"	M27x2	46	52	33	36
3910-33-16	25	1"	1"	M33x2	46	53	33	41
3910-42-20	32	1.1/4"	1.1/4"	M42x2	52	58	41	50
3910-48-24	38	1.1/2"	1.1/2"	M48x2	59	67	48	60

**3915 Curva Orientabile Lunga
BSP/Metrico DIN 3852-1**

Long Adjustable Elbow BSP/Metric DIN 3852-1

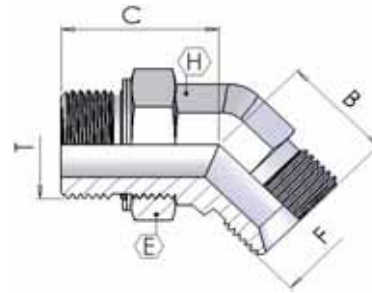
Filettatura / Thread:
Metric Parallel



part number	Ø tube		Dimensions					
	mm	inch	F	T	B	C	H	E
3915-10-02	6	1/4"	1/8"	M10x1	23	46	12	14
3915-12-02	6	1/4"	1/8"	M12x1,5	27	54	14	17
3915-14-04	8	5/16"	1/4"	M14x1,5	27	57	14	19
3915-16-04	8	5/16"	1/4"	M16x1,5	29	67	19	22
3915-16-06	10	3/8"	3/8"	M16x1,5	32	67	19	22
3915-18-06	10	3/8"	3/8"	M18x1,5	32	67	19	24
3915-18-08	12	1/2"	1/2"	M18x1,5	37	75	22	24
3915-22-08	12	1/2"	1/2"	M22x1,5	37	78	22	27
3915-22-12	20	3/4"	3/4"	M22x1,5	42	88	27	27
3915-27-12	20	3/4"	3/4"	M27x2	42	95	27	36
3915-27-16	25	1"	1"	M27x2	46	105	33	36
3915-33-16	25	1"	1"	M33x2	46	105	33	41
3915-42-20	32	1.1/4"	1.1/4"	M42x2	52	124	41	50
3915-48-24	38	1.1/2"	1.1/2"	M48x2	59	141	48	60

**3410 Curva 45° Orientabile
BSP/Metrico DIN 3852-1**

Adjustable 45° Elbow BSP/Metric DIN 3852-1

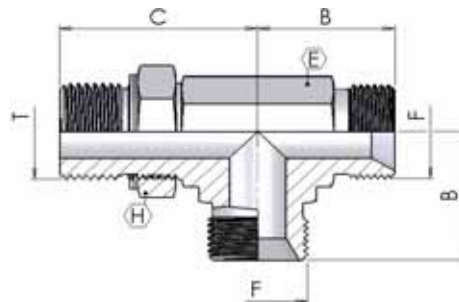


Filettatura / Thread:
Metric Parallel

part number	Ø tube		Dimensions					
	mm	inch	F	T	B	C	H	E
3410-10-02	6	1/4"	1/8"	M10x1	19	27	12	14
3410-12-02	6	1/4"	1/8"	M12x1,5	21	29	14	17
3410-14-04	8	5/16"	1/4"	M14x1,5	21	29	14	19
3410-16-04	8	5/16"	1/4"	M16x1,5	22	33	19	22
3410-16-06	10	3/8"	3/8"	M16x1,5	25	33	19	22
3410-18-06	10	3/8"	3/8"	M18x1,5	25	33	19	24
3410-18-08	12	1/2"	1/2"	M18x1,5	28	35	22	24
3410-22-08	12	1/2"	1/2"	M22x1,5	28	38	22	27
3410-22-12	20	3/4"	3/4"	M22x1,5	33	40	27	27
3410-27-12	20	3/4"	3/4"	M27x2	33	44	27	36
3410-27-16	25	1"	1"	M27x2	37	46	33	36
3410-33-16	25	1"	1"	M33x2	37	47	33	41
3410-42-20	32	1.1/4"	1.1/4"	M42x2	41	49	41	50
3410-48-24	38	1.1/2"	1.1/2"	M48x2	45	53	48	60

**3610 T BSP con masch. Metr.
laterale orient. (DIN 3852-1)**

Adjustable Run Tee BSP/Metric DIN 3852-1

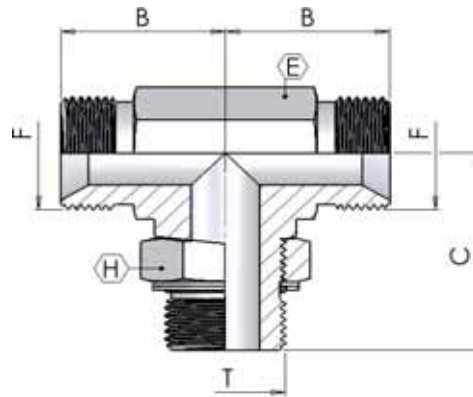


Filettatura / Thread:
Metric Parallel

part number	Ø tube		Dimensions					
	mm	inch	F	T	B	C	H	E
3610-10-02	6	1/4"	1/8-28	M10x1	23	27	14	12
3610-12-02	6	1/4"	1/8-28	M12x1,5	27	32	17	14
3610-14-04	8	5/16"	1/4-19	M14x1,5	27	32	19	14
3610-16-04	8	5/16"	1/4-19	M16x1,5	29	38	22	19
3610-16-06	10	3/8"	3/8-19	M16x1,5	32	38	22	19
3610-18-06	10	3/8"	3/8-19	M18x1,5	32	40	24	19
3610-18-08	12	1/2"	1/2-14	M18x1,5	37	41	24	22
3610-22-08	12	1/2"	1/2-14	M22x1,5	37	43	27	22
3610-22-12	20	3/4"	3/4-11	M22x1,5	42	45	27	27
3610-27-12	20	3/4"	3/4-11	M27x2	42	52	36	27
3610-27-16	25	1"	1-11	M27x2	46	52	36	33
3610-33-16	25	1"	1-11	M33x2	46	53	41	33
3610-42-20	32	1.1/4"	1.1/4-11	M42x2	52	58	50	41
3610-48-24	38	1.1/2"	1.1/2-11	M48x2	59	67	60	48

3615 T BSP con masch. Metr. centr. orient. (DIN 3852-1)

Adjustable Branch Tee BSP/Metric DIN 3852-1



Filettatura / Thread:
Metric Parallel

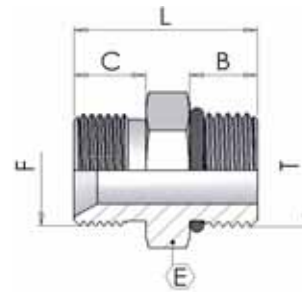
part number	Ø tube		Dimensions					
	mm	inch	F	T	B	C	H	E
3615-10-02	6	1/4"	1/8-28	M10x1	23	27	14	12
3615-12-02	6	1/4"	1/8-28	M12x1,5	27	32	17	14
3615-14-04	8	5/16"	1/4-19	M14x1,5	27	32	19	14
3615-16-04	8	5/16"	1/4-19	M16x1,5	29	38	22	19
3615-16-06	10	3/8"	3/8-19	M16x1,5	32	38	22	19
3615-18-06	10	3/8"	3/8-19	M18x1,5	32	40	24	19
3615-18-08	12	1/2"	1/2-14	M18x1,5	37	41	24	22
3615-22-08	12	1/2"	1/2-14	M22x1,5	37	43	27	22
3615-22-12	20	3/4"	3/4-11	M22x1,5	42	45	27	27
3615-27-12	20	3/4"	3/4-11	M27x2	42	52	36	27
3615-27-16	25	1"	1-11	M27x2	46	52	36	33
3615-33-16	25	1"	1-11	M33x2	46	53	41	33
3615-42-20	32	1.1/4"	1.1/4-11	M42x2	52	58	50	41
3615-48-24	38	1.1/2"	1.1/2-11	M48x2	59	67	60	48

3520 Nipplo maschio BSP/UNF

Male Connector BSP/UNF

Filettatura / Thread:

UNF/UN (ISO 11926-1)



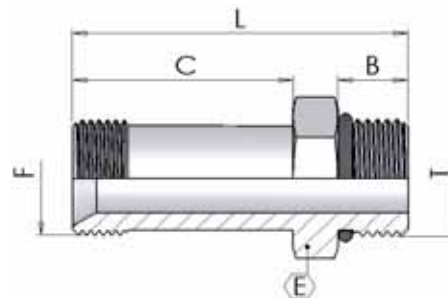
part number	Ø tube		Dimensions					
	mm	inch	F	T	L	B	C	E
3520-04-02	6	1/4"	1/8-28	7/16-20	25	9	8	14
3520-05-02	6	1/4"	1/8-28	1/2-20	25	9	8	16
3520-06-04	8	5/16"	1/4-19	9/16-18	30	10	11	17
3520-08-04	8	5/16"	1/4-19	3/4-16	32	11	11	22
3520-08-06	10	3/8"	3/8-19	3/4-16	33	11	12	22
3520-08-08	12	1/2"	1/2-14	3/4-16	36	11	14	22
3520-10-06	10	3/8"	3/8-19	7/8-14	36	12,5	12	27
3520-10-08	12	1/2"	1/2-14	7/8-14	38	13	14	27
3520-10-12	20	3/4"	3/4-11	7/8-14	42	12,5	16	27
3520-12-08	12	1/2"	1/2-14	1.1/16-12	42	15	14	32
3520-12-12	20	3/4"	3/4-11	1.1/16-12	44	15	16	32
3520-16-12	20	3/4"	3/4-11	1.5/16-12	45	15	16	38
3520-16-16	25	1"	1-11	1.5/16-12	48	15	19	38
3520-20-20	32	1.1/4"	1.1/4-11	1.5/8-12	51	15	20	50
3520-24-24	38	1.1/2"	1.1/2-11	1.7/8-12	55	15	22	55

3525 Giunzione M/M Lunga BSP/UNF

Long Male Connector BSP/UNF

Filettatura / Thread:

UNF/UN (ISO 11926-1)

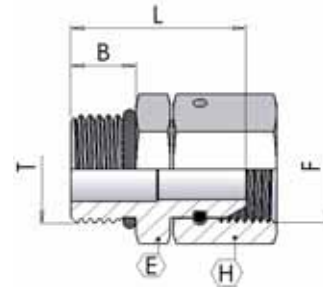


part number	Ø tube		Dimensions					
	mm	inch	F	T	L	B	C	E
3525-04-02	6	1/4"	1/8-28	7/16-20	46	9	29	14
3525-05-02	6	1/4"	1/8-28	1/2-20	46	9	29	16
3525-06-04	8	5/16"	1/4-19	9/16-18	55	10	36	17
3525-08-04	8	5/16"	1/4-19	3/4-16	57	11	36	22
3525-08-06	10	3/8"	3/8-19	3/4-16	64	11	43	22
3525-08-08	12	1/2"	1/2-14	3/4-16	70	11	48	22
3525-10-06	10	3/8"	3/8-19	7/8-14	67	12,5	43	27
3525-10-08	12	1/2"	1/2-14	7/8-14	71	13	48	27
3525-10-12	20	3/4"	3/4-11	7/8-14	83	12,5	57	27
3525-12-08	12	1/2"	1/2-14	1.1/16-12	76	15	48	32
3525-12-12	20	3/4"	3/4-11	1.1/16-12	85	15	57	32
3525-16-12	20	3/4"	3/4-11	1.5/16-12	86	15	57	38
3525-16-16	25	1"	1-11	1.5/16-12	97	15	68	38
3525-20-20	32	1.1/4"	1.1/4-11	1.5/8-12	114	15	84	50
3525-24-24	38	1.1/2"	1.1/2-11	1.7/8-12	125	15	93	55

3570 Femmina girevole BSP/UNF

Swivel Nut Female BSP/UNF

Filettatura / Thread:
UNF/UN (ISO 11926-1)

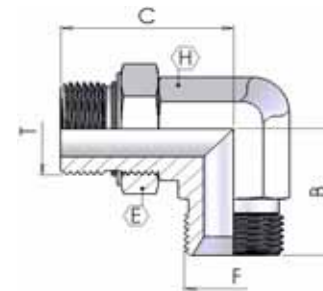


part number	Ø tube		Dimensions					
	mm	inch	F	T	B	L	E	H
3570-04-02	6	1/4"	1/8-28	7/16-20	9	28	14	14
3570-05-02	6	1/4"	1/8-28	1/2-20	9	28	16	14
3570-06-04	8	5/16"	1/4-19	9/16-18	10	29	17	19
3570-08-04	8	5/16"	1/4-19	3/4-16	11	31	22	19
3570-08-06	10	3/8"	3/8-19	3/4-16	11	32	22	22
3570-08-08	12	1/2"	1/2-14	3/4-16	11	37	22	27
3570-10-06	10	3/8"	3/8-19	7/8-14	13	36	27	22
3570-10-08	12	1/2"	1/2-14	7/8-14	13	38	27	27
3570-10-12	20	3/4"	3/4-11	7/8-14	13	41	27	32
3570-12-08	12	1/2"	1/2-14	1.1/16-12	15	43	32	27
3570-12-12	20	3/4"	3/4-11	1.1/16-12	15	43	32	32
3570-16-12	20	3/4"	3/4-11	1.5/16-12	15	45	38	32
3570-16-16	25	1"	1-11	1.5/16-12	15	51	38	41
3570-20-20	32	1.1/4"	1.1/4-11	1.5/8-12	15	53	50	50
3570-24-24	38	1.1/2"	1.1/2-11	1.7/8-12	15	57	55	60

3920 Curva Orientabile BSP/UNF

Adjustable Elbow BSP/UNF

Filettatura / Thread:
UNF/UN (ISO 11926-1)

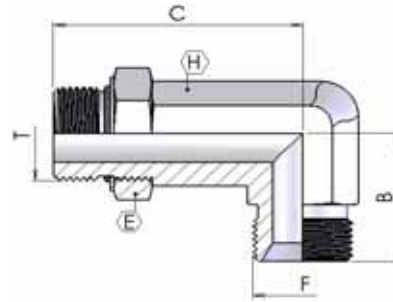


part number	Ø tube		Dimensions					
	mm	inch	F	T	B	C	H	E
3920-04-02	6	1/4"	1/8"	7/16-20	23	46	12	14
3920-05-02	6	1/4"	1/8"	1/2-20	24	50	14	16
3920-06-04	8	5/16"	1/4"	9/16-18	27	57	14	19
3920-08-04	8	5/16"	1/4"	3/4-16	29	67	19	22
3920-08-06	10	3/8"	3/8"	3/4-16	32	67	19	22
3920-08-08	12	1/2"	1/2"	3/4-16	37	75	22	22
3920-10-06	10	3/8"	3/8"	7/8-14	34	78	22	27
3920-10-08	12	1/2"	1/2"	7/8-14	37	78	22	27
3920-10-12	20	3/4"	3/4"	7/8-14	42	88	27	27
3920-12-08	12	1/2"	1/2"	1.1/16-12	40	92	27	32
3920-12-12	20	3/4"	3/4"	1.1/16-12	42	92	27	32
3920-16-12	20	3/4"	3/4"	1.5/16-12	45	105	33	41
3920-16-16	25	1"	1"	1.5/16-12	46	105	33	41
3920-20-20	32	1.1/4"	1.1/4"	1.5/8-12	52	124	41	50
3920-24-24	38	1.1/2"	1.1/2"	1.7/8-12	59	135	48	55

3925 Curva Orientabile Lunga BSP/UNF

Adjustable Elbow BSP/UNF

Filettatura / Thread:
UNF/UN (ISO 11926-1)

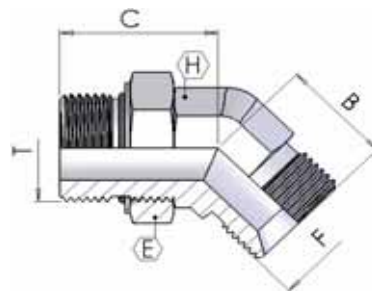


part number	Ø tube		Dimensions					
	mm	inch	F	T	B	C	H	E
3925-04-02	6	1/4"	1/8"	7/16-20	23	26	12	14
3925-05-02	6	1/4"	1/8"	1/2-20	24	29	14	16
3925-06-04	8	5/16"	1/4"	9/16-18	27	32	14	19
3925-08-04	8	5/16"	1/4"	3/4-16	29	37	19	22
3925-08-06	10	3/8"	3/8"	3/4-16	32	37	19	22
3925-08-08	12	1/2"	1/2"	3/4-16	37	40	22	22
3925-10-06	10	3/8"	3/8"	7/8-14	34	43	22	27
3925-10-08	12	1/2"	1/2"	7/8-14	37	43	22	27
3925-10-12	20	3/4"	3/4"	7/8-14	42	46	27	27
3925-12-08	12	1/2"	1/2"	1.1/16-12	40	50	27	32
3925-12-12	20	3/4"	3/4"	1.1/16-12	42	50	27	32
3925-16-12	20	3/4"	3/4"	1.5/16-12	45	52	33	41
3925-16-16	25	1"	1"	1.5/16-12	46	52	33	41
3925-20-20	32	1.1/4"	1.1/4"	1.5/8-12	52	57	41	50
3925-24-24	38	1.1/2"	1.1/2"	1.7/8-12	59	61	48	55

3420 Curva 45° Orientabile BSP/UNF

Adjustable Elbow BSP/UNF

Filettatura / Thread:
UNF/UN (ISO 11926-1)

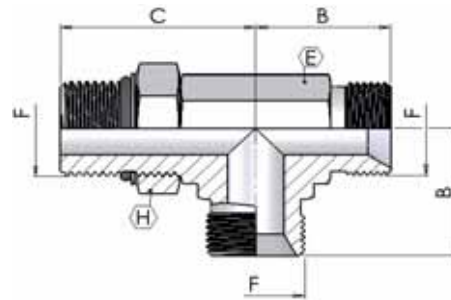


part number	Ø tube		Dimensions					
	mm	inch	F	T	B	C	H	E
3420-04-02	6	1/4"	1/8"	7/16-20	12	27	12	14
3420-05-02	6	1/4"	1/8"	1/2-20	14	27	14	16
3420-06-04	8	5/16"	1/4"	9/16-18	14	29	14	19
3420-08-04	8	5/16"	1/4"	3/4-16	19	33	19	22
3420-08-06	10	3/8"	3/8"	3/4-16	19	33	19	22
3420-08-08	12	1/2"	1/2"	3/4-16	22	35	22	22
3420-10-06	10	3/8"	3/8"	7/8-14	22	39	22	27
3420-10-08	12	1/2"	1/2"	7/8-14	22	39	22	27
3420-10-12	20	3/4"	3/4"	7/8-14	27	40	27	27
3420-12-08	12	1/2"	1/2"	1.1/16-12	27	44	27	32
3420-12-12	20	3/4"	3/4"	1.1/16-12	27	44	27	32
3420-16-12	20	3/4"	3/4"	1.5/16-12	33	47	33	41
3420-16-16	25	1"	1"	1.5/16-12	33	47	33	41
3420-20-20	32	1.1/4"	1.1/4"	1.5/8-12	41	49	41	50
3420-24-24	38	1.1/2"	1.1/2"	1.7/8-12	48	49	48	55

3620 T BSP con maschio UNF laterale orientabile

Adjustable Run Tee BSP/UNF

Filettatura / Thread:
UNF/UN (ISO 11926-1)

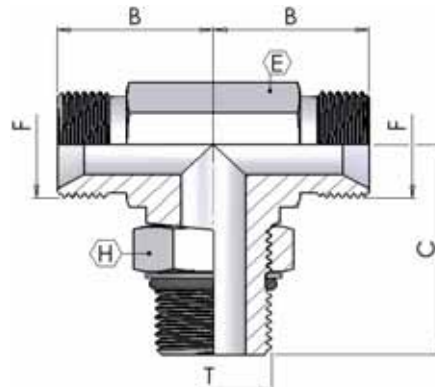


part number	Ø tube		Dimensions					
	mm	inch	F	T	B	C	H	E
3620-04-02	6	1/4"	1/8-28	7/16-20	23	26	14	12
3620-05-02	6	1/4"	1/8-28	1/2-20	24	29	16	14
3620-06-04	8	5/16"	1/4-19	9/16-18	27	32	19	14
3620-08-04	8	5/16"	1/4-19	3/4-16	29	37	22	19
3620-08-06	10	3/8"	3/8-19	3/4-16	32	37	22	19
3620-08-08	12	1/2"	1/2-14	3/4-16	37	40	22	22
3620-10-06	10	3/8"	3/8-19	7/8-14	34	43	27	22
3620-10-08	12	1/2"	1/2-14	7/8-14	37	43	27	22
3620-10-12	20	3/4"	3/4-11	7/8-14	42	46	27	27
3620-12-08	12	1/2"	1/2-14	1.1/16-12	40	50	32	27
3620-12-12	20	3/4"	3/4-11	1.1/16-12	42	50	32	27
3620-16-12	20	3/4"	3/4-11	1.5/16-12	45	52	41	33
3620-16-16	25	1"	1-11	1.5/16-12	46	52	41	33
3620-20-20	32	1.1/4"	1.1/4-11	1.5/8-12	52	57	50	41
3620-24-24	38	1.1/2"	1.1/2-11	1.7/8-12	59	61	55	48

3625 T BSP con maschio UNF centrale orientabile

Adjustable Branch Tee BSP/UNF

Filettatura / Thread:
UNF/UN (ISO 11926-1)



part number	Ø tube		Dimensions					
	mm	inch	F	T	B	C	H	E
3625-04-02	6	1/4"	1/8-28	7/16-20	23	26	14	12
3625-05-02	6	1/4"	1/8-28	1/2-20	24	29	16	14
3625-06-04	8	5/16"	1/4-19	9/16-18	27	32	19	14
3625-08-04	8	5/16"	1/4-19	3/4-16	29	37	22	19
3625-08-06	10	3/8"	3/8-19	3/4-16	32	37	22	19
3625-08-08	12	1/2"	1/2-14	3/4-16	37	40	22	22
3625-10-06	10	3/8"	3/8-19	7/8-14	34	43	27	22
3625-10-08	12	1/2"	1/2-14	7/8-14	37	43	27	22
3625-10-12	20	3/4"	3/4-11	7/8-14	42	46	27	27
3625-12-08	12	1/2"	1/2-14	1.1/16-12	40	50	32	27
3625-12-12	20	3/4"	3/4-11	1.1/16-12	42	50	32	27
3625-16-12	20	3/4"	3/4-11	1.5/16-12	45	52	41	33
3625-16-16	25	1"	1-11	1.5/16-12	46	52	41	33
3625-20-20	32	1.1/4"	1.1/4-11	1.5/8-12	52	57	50	41
3625-24-24	38	1.1/2"	1.1/2-11	1.7/8-12	59	61	55	48

