



MINI.M.M.

O I I I I














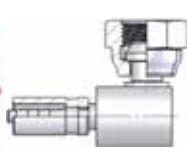









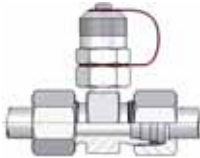



Miniprese e raccordi per miniflessibile / *Test points and fittings for micro-hoses*

N
O

MINIHy press

IMM Group

Raccordi per tubo miniflessibile e racc. di controllo

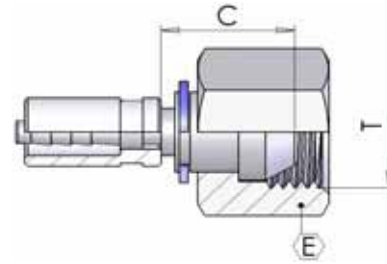
Pagina / Page	2	2	3	3		
Gas BSP						
	M051 Femm. Cono 60° Swivel Fem. 60° Cone	M350 Maschio BSPP 60° BSPP Male 60° Cone	M360 Maschio BSPT 60° BSPT Male 60° Cone	MP51 Fem. Gir. Portaman. Pressure gauge connect.		
Pagina / Page	3		4	4		
60° Metric		Metric 24°				
	M100 Femm. Metr. Cono 60° Swivel Female 60° Cone		M084 DKOS	M085 DKOL		
Pagina / Page	4	5	5	5		
JIC 74°		Metric Stanpipe				
	M901 Femmina Girevole JIC Jic swivel female		M550 Perno Liscio Standpipe	M650 Perno Liscio 90° 90° Standpipe		
				Banjo		
						
				M1350 Occhio Metrico Metric Banjo		
Pagina / Page	6	6	7	7		
Racc. a Spina			Compact			
	M0FS Femmina a Spina Swivel female test fitting	M0PS Perno a Spina Plug-in connection		M2300 BSP 90° compact elbow 60° cone		
						
				MC650 90° compact standpipe		
Pagina / Page	9	9	10	10	11	11
Check coupling						
	RDCB BSP - Metric Form B	RDCC BSP - Metric with elastomeric sealing	RDCA - RDCE UNF - Metric	RDCD BSPT - NPTF	RDC0 Perno Liscio Standpipe	RDCF DKOL
Pagina / Page	12	12	13	14	14	15
Check coupling						
	RDCF JIC Female swivel	RDCF ORFS Female swivel	RDCI for metal pipe fitting DIN 2353	PGA0 Connessione diretta Direct connection	PGAP Conness. Passaparete Bulkhead connection	PGA9 Conness. Orientabile 90° 90° Swivel connection

Dimensions and general characteristics may be changed at any time without prior notice.

Data contained herein are for information purpose only, and it does not enlarge, amend or imply any warranty other than provided by us with the product
Any use of the product not in conformance with our instructions may be dangerous.

M051 Femmina Girevole BSP Cono 60°

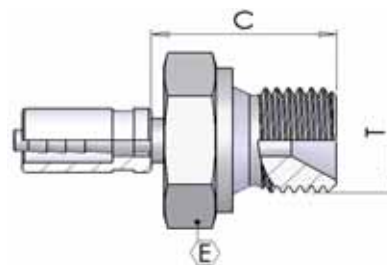
BSP Swivel Female 60° Cone



part number	hose I.D.			Dimension		
	in	mm	DN	T	C	E
M051-012-02	5/64"	2,0	DN 2	1/8"	10	14
M051-012-04	5/64"	2,0	DN 2	1/4"	13	17
M051-012-06	5/64"	2,0	DN 2	3/8"	15	22
M051-020-02	1/8"	3,0	DN 3	1/8"	10	14
M051-020-04	1/8"	3,0	DN 3	1/4"	13	17
M051-020-06	1/8"	3,0	DN 3	3/8"	15	22
M051-025-02	5/32"	4,0	DN 4	1/8"	10	14
M051-025-04	5/32"	4,0	DN 4	1/4"	13	17
M051-025-06	5/32"	4,0	DN 4	3/8"	15	22

M350 Maschio BSP svas. 60°

BSP Male Parallel 60° cone

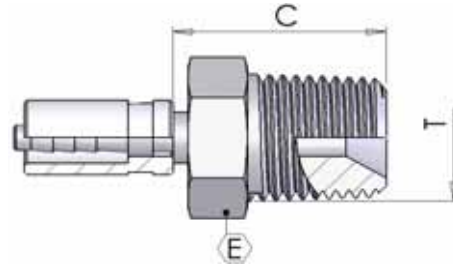


part number	hose I.D.			Dimension		
	in	mm	DN	T	C	E
M350-012-02	5/64"	2,0	DN 2	1/8"	15	12
M350-012-04	5/64"	2,0	DN 2	1/4"	20	17
M350-020-02	1/8"	3,0	DN 3	1/8"	15	12
M350-020-04	1/8"	3,0	DN 3	1/4"	20	17
M350-025-02	5/32"	4,0	DN 4	1/8"	15	12
M350-025-04	5/32"	4,0	DN 4	1/4"	20	17

Nel prezzo sono compresi l'inserto e la ghiera a pressare per tubo tipo TFS00MP
 In the price are including the insert and the swaged ferrule for micro hose Type TFS00MP

M360 Maschio BSPT svas. 60°

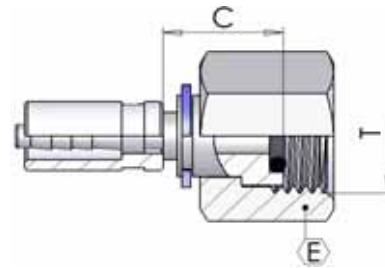
BSP Taper Male 60° cone



part number	hose I.D.			Dimension		
	in	mm	DN	T	C	E
M360-012-02	5/64"	2,0	DN 2	1/8"	15	12
M360-020-02	1/8"	3,0	DN 3	1/8"	15	12
M360-025-02	5/32"	4,0	DN 4	1/8"	15	12

MP51 Femmina Girevole Portamanometro sede piana

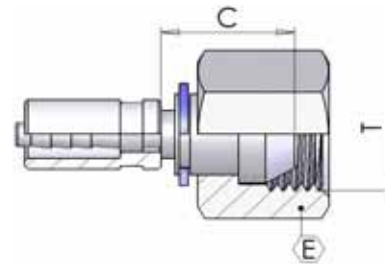
BSP Female pressure gauge connection



part number	hose I.D.			Dimension		
	in	mm	DN	T	C	E
MP51-012-04	5/64"	2,0	DN 2	1/4"	12	19
MP51-012-08	5/64"	2,0	DN 2	1/2"	20	27
MP51-020-04	1/8"	3,0	DN 3	1/4"	12	19
MP51-020-08	1/8"	3,0	DN 3	1/2"	20	27
MP51-025-04	5/32"	4,0	DN 4	1/4"	12	19
MP51-025-08	5/32"	4,0	DN 4	1/2"	20	27

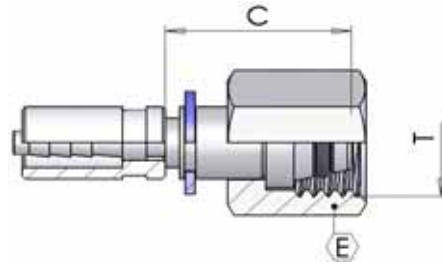
M100 Femmina Girevole Metrica Cono 60°

Metric Swivel Female 60° Cone



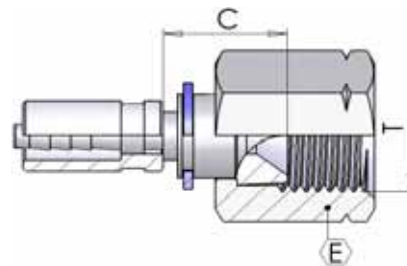
part number	hose I.D.			Dimension		
	in	mm	DN	T	C	E
M100-012-10	5/64"	2,0	DN 2	M10x1,0	10	14
M100-012-14	5/64"	2,0	DN 2	M14x1,5	13	17
M100-020-10	1/8"	3,0	DN 3	M10x1,0	10	14
M100-020-14	1/8"	3,0	DN 3	M14x1,5	13	17
M100-025-10	5/32"	4,0	DN 4	M10x1,0	10	14
M100-025-14	5/32"	4,0	DN 4	M14x1,5	13	17

Nel prezzo sono compresi l'inserto e la ghiera a pressare per tubo tipo TFS00MP
 In the price are including the insert and the swaged ferrule for micro hose Type TFS00MP

M084 Femmina Metrica Cono 24°/O'Ring - DKOL/DKOS
M085
Metric Swivel Female 24° Cone/O'Ring - DKOL/DKOS


part number	hose I.D.			Dimension			
	in	mm	DN	T	Erm.	C	E
M084-012-14	5/64"	2,0	DN 2	M14x1,5	6S	18	19
M084-012-16	5/64"	2,0	DN 2	M16x1,5	8S	18	19
M084-012-18	5/64"	2,0	DN 2	M18x1,5	10S	18	19
M084-020-14	1/8"	3,0	DN 3	M14x1,5	6S	18	19
M084-020-16	1/8"	3,0	DN 3	M16x1,5	8S	18	19
M084-020-18	1/8"	3,0	DN 3	M18x1,5	10S	18	19
M084-025-14	5/32"	4,0	DN 4	M14x1,5	6S	18	19
M084-025-16	5/32"	4,0	DN 4	M16x1,5	8S	18	19
M084-025-18	5/32"	4,0	DN 4	M18x1,5	10S	18	19

M085-012-12	5/64"	2,0	DN 2	M12x1,5	6L	18	19
M085-012-14	5/64"	2,0	DN 2	M14x1,5	8L	18	19
M085-012-16	5/64"	2,0	DN 2	M16x1,5	10L	18	19
M085-020-12	1/8"	3,0	DN 3	M12x1,5	6L	18	19
M085-020-14	1/8"	3,0	DN 3	M14x1,5	8L	18	19
M085-020-16	1/8"	3,0	DN 3	M16x1,5	10L	18	19
M085-025-12	5/32"	4,0	DN 4	M12x1,5	6L	18	19
M085-025-14	5/32"	4,0	DN 4	M14x1,5	8L	18	19
M085-025-16	5/32"	4,0	DN 4	M16x1,5	10L	18	19

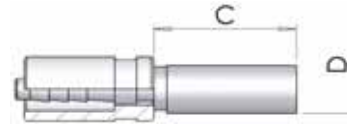
M901 Racc. Femm. Girevole JIC Svas. 74°
Jic swivel female 74° seat


part number	hose I.D.			Dimension		
	in	mm	DN	T	C	E
M901-012-04	5/64"	2,0	DN 2	7/16"-20	11	14
M901-012-05	5/64"	2,0	DN 2	1/2"-20	21	17
M901-020-04	1/8"	3,0	DN 3	7/16"-20	11	14
M901-020-05	1/8"	3,0	DN 3	1/2"-20	21	17
M901-025-04	5/32"	4,0	DN 4	7/16"-20	11	14
M901-025-05	5/32"	4,0	DN 4	1/2"-20	21	17

Nel prezzo sono compresi l'inserto e la ghiera a pressare per tubo tipo TFS00MP
 In the price are including the insert and the swaged ferrule for micro hose Type TFS00MP

M550 Raccordo Perno Liscio

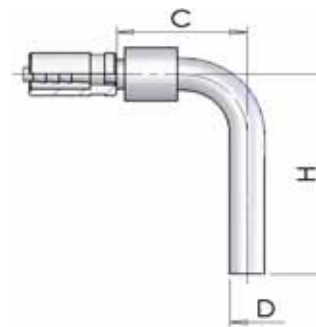
Standpipe



part number	hose I.D.			Dimension	
	in	mm	DN	D	C
M550-012-04	5/64"	2,0	DN 2	4	22
M550-012-06	5/64"	2,0	DN 2	6	22
M550-012-08	5/64"	2,0	DN 2	8	22
M550-020-04	1/8"	3,0	DN 3	4	22
M550-020-06	1/8"	3,0	DN 3	6	22
M550-020-08	1/8"	3,0	DN 3	8	22
M550-025-04	5/32"	4,0	DN 4	4	22
M550-025-06	5/32"	4,0	DN 4	6	22
M550-025-08	5/32"	4,0	DN 4	8	22

M650 Raccordo 90° Perno Liscio

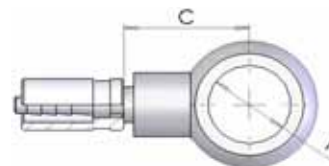
90° Standpipe



part number	hose I.D.			Dimension		
	in	mm	DN	D	C	H
M650-012-06	5/64"	2,0	DN 2	6	24	33
M650-020-06	1/8"	3,0	DN 3	6	24	33
M650-025-06	5/32"	4,0	DN 4	6	24	33

M135 Occhio Metrico

Metric Banjo

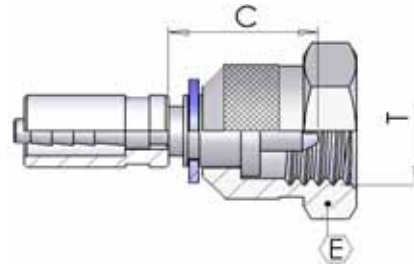


part number	hose I.D.			Dimension	
	in	mm	DN	F	L
M1350-012-10	5/64"	2,0	DN 2	10	21
M1350-020-10	1/8"	3,0	DN 3	10	21
M1350-025-10	5/32"	4,0	DN 4	10	21

Nel prezzo sono compresi l'inserto e la ghiera a pressare per tubo tipo TFS00MP
 In the price are including the insert and the swaged ferrule for micro hose Type TFS00MP

M0FS Femmina girevole a spina

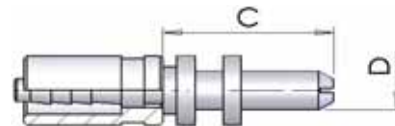
Swivel female test fitting



part number	hose I.D.			Dimension			
	in	mm	DN		T	C	E
M0FS-012-16	5/64"	2,0	DN 2		M16x2,0	18,5	19
M0FS-012-17	5/64"	2,0	DN 2		M16x1,5	18,5	19
M0FS-020-16	1/8"	3,0	DN 3		M16x2,0	18,5	19
M0FS-020-17	1/8"	3,0	DN 3		M16x1,5	18,5	19
M0FS-025-16	5/32"	4,0	DN 4		M16x2,0	18,5	19
M0FS-025-17	5/32"	4,0	DN 4		M16x1,5	18,5	19

M0PS Racc. Perno a spina

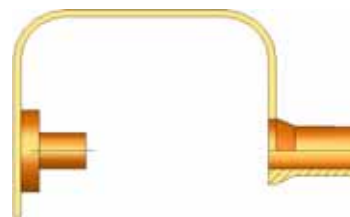
Plug-in connection



part number	hose I.D.			Dimension	
	in	mm	DN	D	C
M0PS-012-16	5/64"	2,0	DN 2	3,3	15
M0PS-020-16	1/8"	3,0	DN 3	3,3	15
M0PS-025-16	5/32"	4,0	DN 4	3,3	15

MPAR Parapolvere per perno a spina

Dust protection cap for Plug-in connection

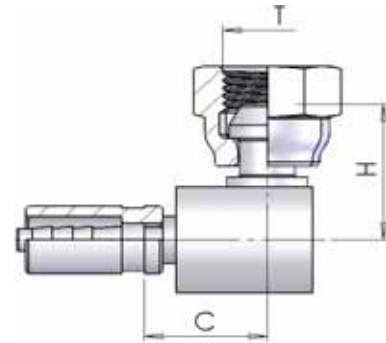


part number	Description
MPAR-16	Parapolvere per perno a spina

Nel prezzo sono compresi l'inserto e la ghiera a pressare per tubo tipo TFS00MP
 In the price are including the insert and the swaged ferrule for micro hose Type TFS00MP

M2300 Racc. Femmina a 90° Compatta BSP

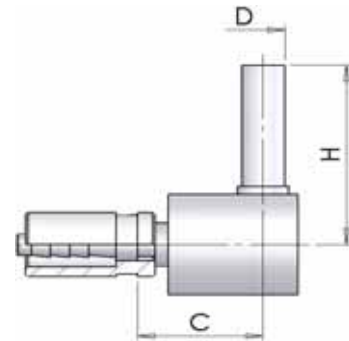
BSP 90° compact elbow 60° cone



part number	hose I.D.			Dimension			
	in	mm	DN	T	E	C	H
M2300-012-02	5/64"	2,0	DN 2	1/8"	13	15,5	16,5
M2300-012-04	5/64"	2,0	DN 2	1/4"	17	15,5	19

MC650 Racc. Femmina Metrica Tubolare Compatta 90°

90° compact metric standpipe



part number	hose I.D.			Dimension		
	in	mm	DN	D	C	H
MC650-012-06	5/64"	2,0	DN 2	6	15,5	28
MC650-012-08	5/64"	2,0	DN 2	8	15,5	28

Nel prezzo sono compresi l'inserto e la ghiera a pressare per tubo tipo TFS00MP
 In the price are including the insert and the swaged ferrule for micro hose Type TFS00MP

Raccordo di controllo

Check coupling

Tutti i raccordi di controllo sono forniti, nella versione standard, con tappo in metallo e laccio in plastica.

All check couplings are supplied for standard version with metal plug and plastic lace.



std version

I raccordi di controllo, su richiesta, sono disponibili anche con tappo e laccio in metallo o tappo e laccio in plastica.

Check couplings, on request, are available with metal plug and lace or plastic plug and lace too.



In caso di ordine aggiungere al codice standard la "A" per il raccordo di controllo con tappo e laccio in metallo.
Esempio di codice: RDCB-10MA

*In case of order add "A" to standard code for check couplings with metal plug and lace.
Code example: RDCB-10MA*

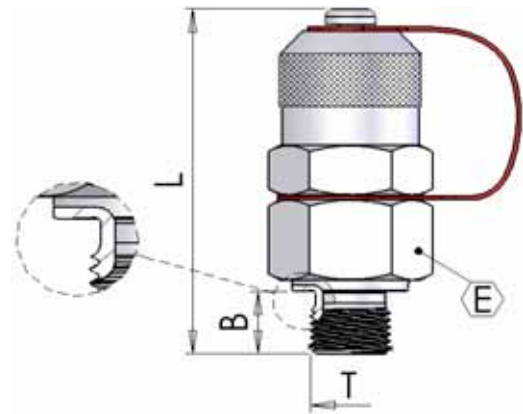
In caso di ordine aggiungere al codice standard la "P" per il raccordo di controllo con tappo e laccio in plastica.
Esempio di codice: RDCB-10MP

*In case of order add "P" to standard code for check couplings with plastic plug and lace.
Code example: RDCB-10MP*



RDCB Racc. di controllo - Maschio (BSPP/Metrico) Form B

Check coupling - Male BSPP (FormB) / Metric (Form B)



Filettatura / Thread:

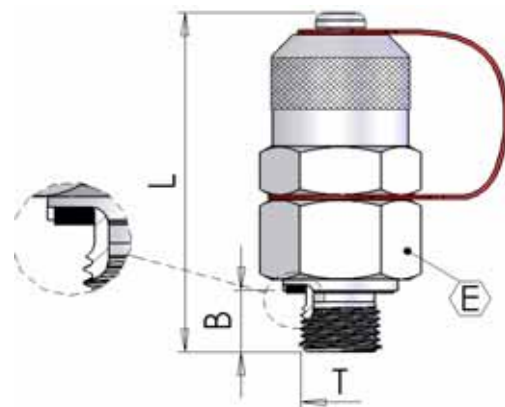
Metric (Form B DIN 3852-1)

BSPP (Form B DIN 3852-2)

part number	Dimension				Working Pressure (bar)
	T	B	L	E	
RDCB-10M	M 10x1	9	44	17	400
RDCB-12M	M12x1,5	12	47	17	630
RDCB-14M	M14x1,5	12	47	19	630
RDCB-16M	M16x1,5	12	47	22	630
RDCB-02G	1/8" BSP	8	43	17	400
RDCB-04G	1/4" BSP	12	49	19	630
RDCB-06G	3/8" BSP	14	51	22	630

RDCC Racc. di controllo - Maschio (Metrico/BSPP) con tenuta elastomerica

Check coupling - Male (metric/BSPP) with elastomeric sealing



Filettatura / Thread:

Metric (ISO 9974-2)

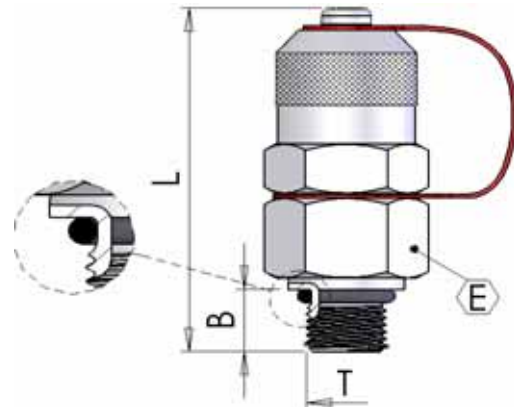
BSPP (ISO 1179-2)

part number	Dimension				Working Pressure (bar)
	T	B	L	E	
RDCC-10M	M 10x1	8	45	17	630
RDCC-12M	M12x1,5	10	47	17	630
RDCC-14M	M14x1,5	12	49	19	630
RDCC-16M	M16x1,5	12	49	22	630
RDCC-02G	1/8" BSP	8	45	17	630
RDCC-04G	1/4" BSP	12	49	19	630
RDCC-06G	3/8" BSP	14	52	22	630
RDCC-08G	1/2" BSP	15	63	27	630

RDCA
RDCE

Racc. di controllo - UNF / Metrico

Check coupling - UNF / Metric



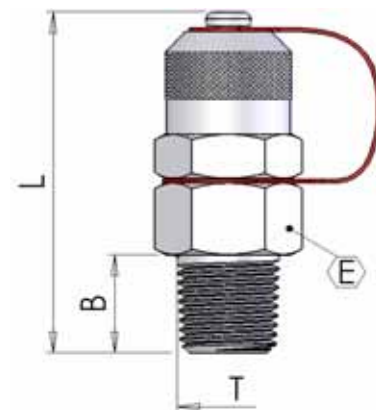
Filettatura / Thread:
Metric (ISO 6149-2/3)
UNF (ISO 11926-2/3)

part number	Dimension				Working Pressure (bar)
	T	B	L	E	
RDCA-08M	M 8x1,00	9	45,5	17	250
RDCA-10M	M10x1,00	9	45,7	17	630
RDCA-11M	M10x1,25	9	46	17	630
RDCA-14M	M14x1,50	10	45	19	630
RDCE-04U	7/16"-20 UNF	9	44	17	630
RDCE-05U	1/2"-20 UNF	10	45	17	630
RDCE-06U	9/16"-18 UNF	10	45	19	630
RDCE-08U	3/4"-16 UNF	14	51	22	630

RDCD

Racc. di controllo - Maschio BSPT/NPTF

Check coupling -Male BSPT / NPTF

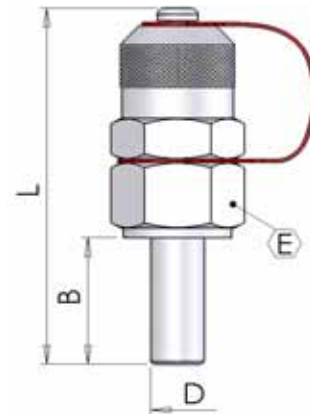


Filettatura / Thread:
BSPT (ISO 7)
NPTF (ANSI/ASME B 1.20.3-1976)

part number	Dimension				Working Pressure (bar)
	T	B	L	E	
RDCD-02K	ISO 7/1 - 1/8"	10	45	17	400
RDCD-04K	ISO 7/1 - 1/4"	12	47	17	630
RDCD-06K	ISO 7/1 - 3/8"	14	49	22	630
RDCD-02N	1/8"-27 NPTF	10	49	17	400
RDCD-04N	1/4"-18 NPTF	14	49	17	630
RDCD-06N	3/8"-18 NPTF	16	51	22	630

RDC0 Racc. di controllo - Perno Liscio

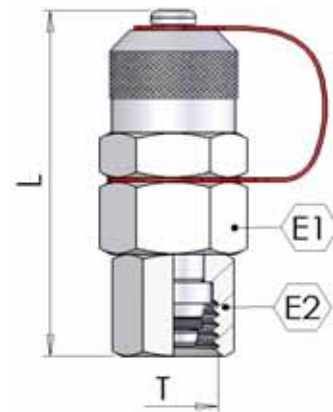
Check coupling - Stanpipe



part number	Dimension					WP (bar)
	type	D	B	L	E	L / S
RDC0-06LS	L/S	6	20	56	17	315 / 630
RDC0-08LS	L/S	8	20	56	17	315 / 630
RDC0-10LS	L/S	10	20	56	17	315 / 630
RDC0-12LS	L/S	12	20	56	17	315 / 630
RDC0-14S	S	14	20	56	17	- / 630
RDC0-15L	L	15	20	56	17	315 / -
RDC0-16S	S	16	20	56	17	- / 400

RDCF Racc. di controllo - 24° con O-Ring DKOL - DIN 3865

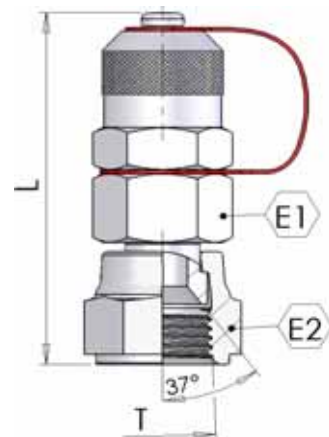
Check oupling with 24° O-Ring sealing cone DKOL type - DIN 3865



part number	Dimension						WP (bar)
	type	erm.	T	L	E1	E2	
RDCF-12ML	L	6	M12x1,5	54	17	14	315
RDCF-14ML		8	M14x1,5	54	17	17	315
RDCF-16ML		10	M16x1,5	59	17	19	315
RDCF-18ML		12	M18x1,5	59	17	22	315
RDCF-22ML		15	M22x1,5	59	17	27	160
RDCF-26ML		18	M26x1,5	59	17	32	160
RDCF-30ML		22	M30x2,0	59	17	36	160
RDCF-36ML		28	M36x2,0	60	17	41	160
RDCF-45ML		35	M45x2,0	62	17	50	160
RDCF-52ML		42	M52x2,0	65	17	60	160
RDCF-14MS	S	6	M14x1,5	54	17	17	630
RDCF-16MS		8	M16x1,5	54	17	19	630
RDCF-18MS		10	M18x1,5	59	17	22	630
RDCF-20MS		12	M20x1,5	59	17	24	630
RDCF-22MS		14	M22x1,5	59	17	27	630
RDCF-24MS		16	M24x1,5	60	17	30	400
RDCF-30MS		20	M30x2,0	62	17	36	400
RDCF-36MS		25	M36x2,0	65	17	46	400
RDCF-42MS		20	M42x2,0	65	17	50	400
RDCF-52MS		38	M52x2,0	65	17	60	315

RDCF Racc. di controllo - Femmina girevole JIC

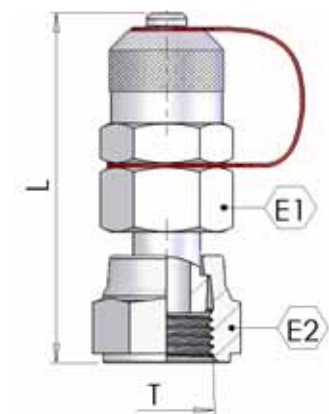
JIC Female swivel check coupling



part number	Dimension				Working Pressure (bar)
	T	L	E1	E2	
RDCF-04J	7/16"-20 UNF	64	17	14	630
RDCF-05J	1/2"-20 UNF	65	17	17	400
RDCF-06J	9/16"-18 UNF	67	17	19	315
RDCF-08J	3/4"-16 UNF	70	17	22	315

RDCF Racc. di controllo - femmina girevole O.R.F.S.

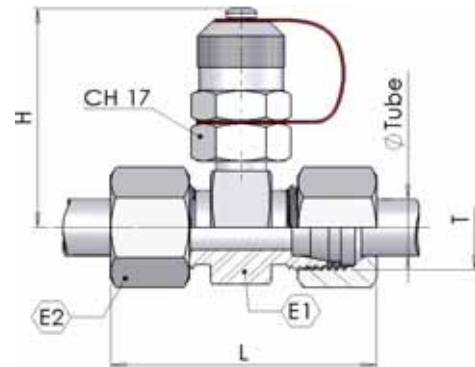
O.R.F.S female swivel check coupling



part number	Dimension				Working Pressure (bar)
	T	L	E1	E2	
RDCF-06U	9/16"-18 UNF	53	17	19	400
RDCF-09U	11/16"-16 UNF	54	17	22	400
RDCF-11U	13/16"-16 UNF	58	19	24	400

RDCI Racc. di controllo diretto per tubo metallico - DIN 2353

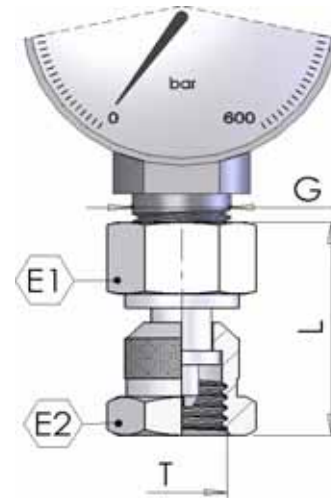
Straight Check coupling for metal pipe fitting - DIN 2353



part number	Dimension							WP (bar)
	Serie	tube	T	H	L	E2	E1	
RDCI-06L	L	6	M12x1,5	49	51	14	24	315
RDCI-08L		8	M14x1,5	49	51	17	24	315
RDCI-10L		10	M16x1,5	49	53	19	24	315
RDCI-12L		12	M18x1,5	49	53	22	24	315
RDCI-15L		15	M22x1,5	50,5	55	27	27	160
RDCI-18L		18	M26x1,5	53	57	32	32	160
RDCI-22L		22	M30x2	53	61	36	32	160
RDCI-28L		28	M36x2	57,5	61	41	41	160
RDCI-35L		35	M42x2	60	69	50	46	160
RDCI-42L		42	M52x2	64,5	71	60	55	160
RDCI-06S	S	6	M14x1,5	49	55	17	24	630
RDCI-08S		8	M16x1,5	49	55	19	24	630
RDCI-10S		10	M18x1,5	49	57	22	24	630
RDCI-12S		12	M20x1,5	49	57	24	24	630
RDCI-14S		14	M22x1,5	49	63	27	24	630
RDCI-16S		16	M24x1,5	52	63	30	27	400
RDCI-20S		20	M30x2	53	69	36	32	400
RDCI-25S		25	M36x2	57,5	75	46	41	400
RDCI-20S42		20	M42x2	60	81	50	46	400
RDCI-38S		38	M52x2	64,5	89	60	55	315

PGA0 Porta manometro connessione diretta

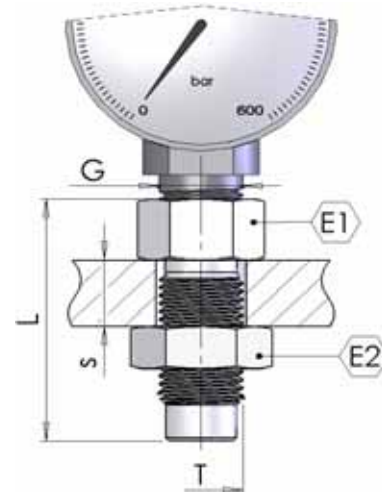
Direct pressure gauge connection



part number	Dimension					Working Pressure (bar)
	T	G	L	E1	E2	
PGA0-04	M16x2	1/4" BSP	50	19	19	630
PGA0-08	M16x2	1/2" BSP	55	27	19	630

PGAP Porta manometro passaparete

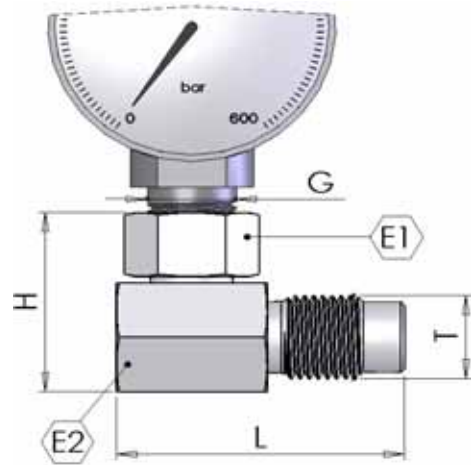
Bulkhead pressure gauge connection



part number	Dimension						WP (bar)
	T	G	L	E1	E2	S (max)	
PGAP-04	M16x2	1/4" BSP	50	19	19	11	630
PGAP-08	M16x2	1/2" BSP	57	27	19	13	630

PGA9 **Porta manometro girevole orientabile 90°**

90° Swivel pressure gauge connection



part number	Dimension						WP (bar)
	T	G	H	L	E1	E2	
PGA9-04	M16x2	1/4" BSP	36	42	19	19	630
PGA9-08	M16x2	1/2" BSP	43	42	27	19	630

